

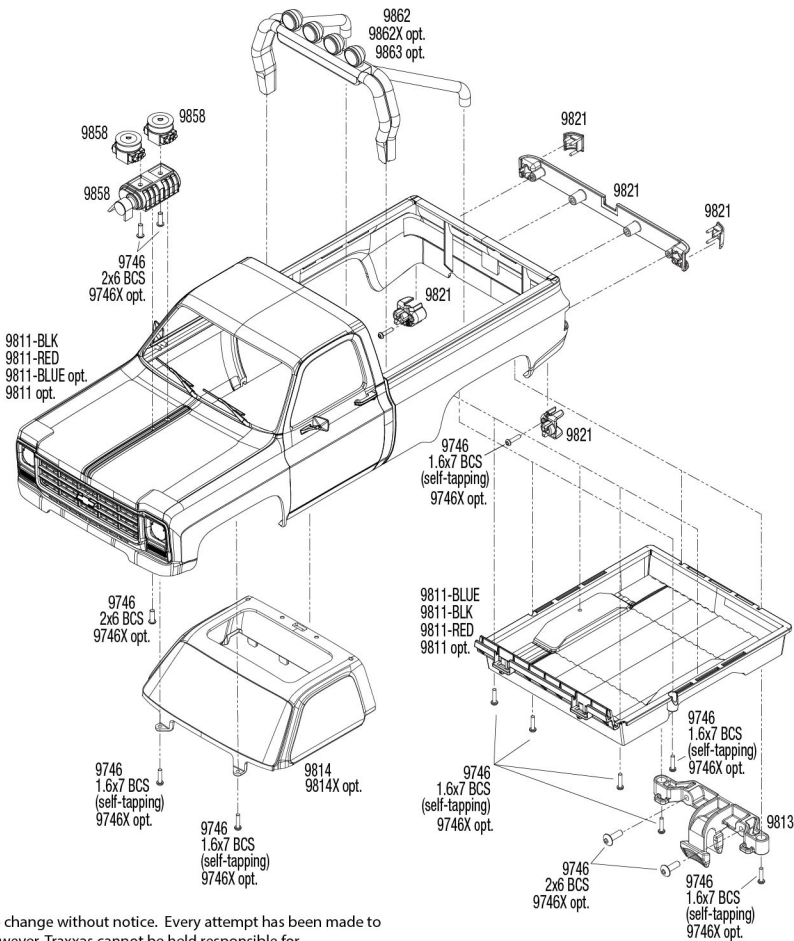
9811-BLK  
9811-RED  
9811-BLUE opt.  
9811 opt.



## Body Assembly

REV 240422-R01

See Parts List for a complete listing of optional accessories.



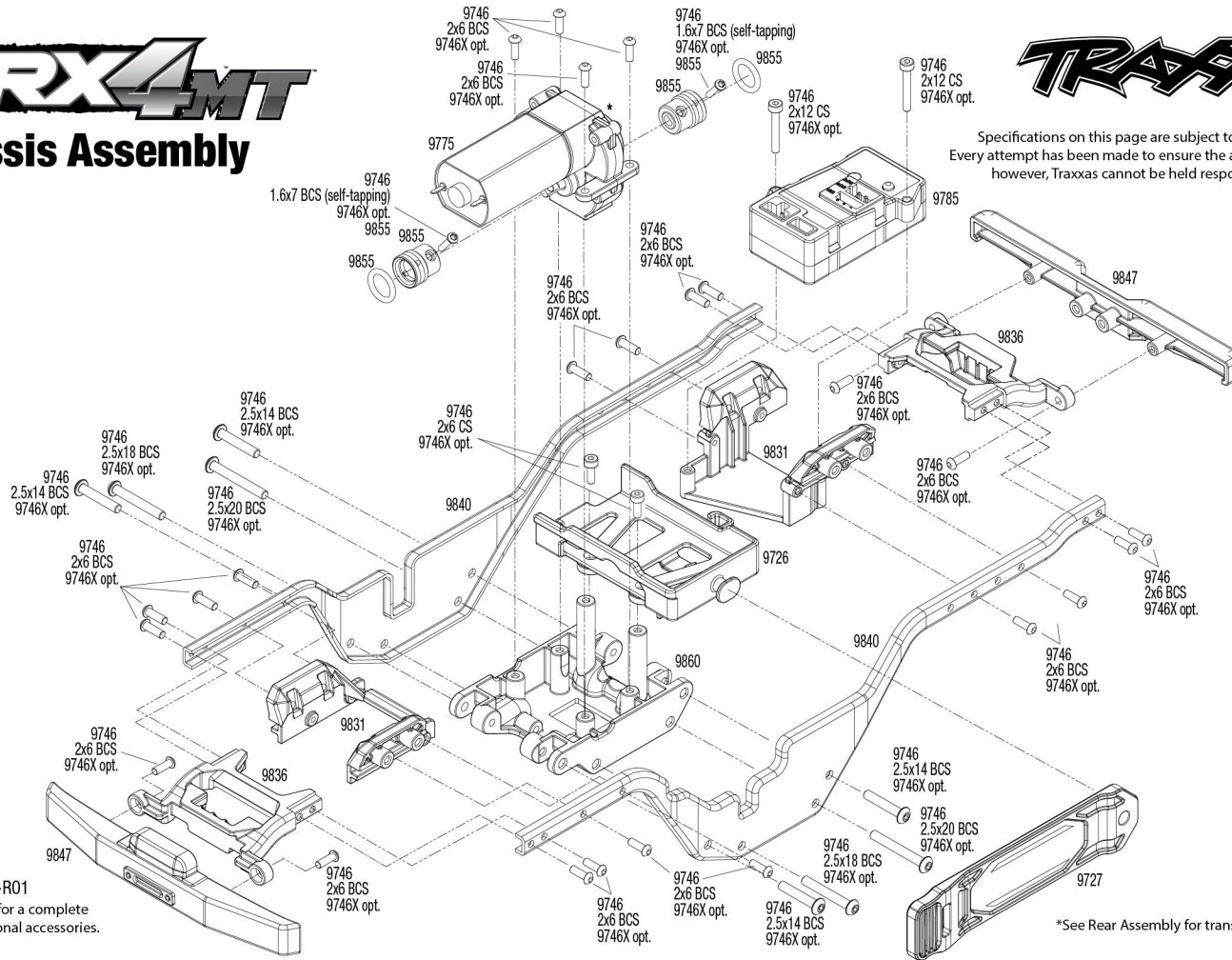
Specifications on this page are subject to change without notice. Every attempt has been made to ensure the accuracy of this drawing; however, Traxxas cannot be held responsible for typographical or other errors.

# TRX4MT

## Chassis Assembly



Specifications on this page are subject to change without notice. Every attempt has been made to ensure the accuracy of this drawing; however, Traxxas cannot be held responsible for typographical or other errors.



REV 240422-R01

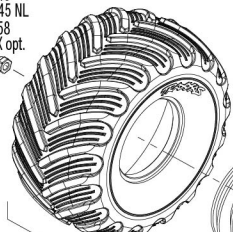
See Parts List for a complete listing of optional accessories.

\*See Rear Assembly for transmission exploded view.



# TRAXXAS

9746  
2.5x0.45 NL  
5158  
9746X opt.



9867

9750  
9750A opt.  
9750X opt.

9746  
2x4 BCS  
9746X opt.

9750  
9750A opt.  
9750X opt.

9842

9746  
2.5x14 BCS  
9746X opt.

9746  
1.6x7 BCS (self-tapping)  
9746X opt.

9746  
2.5x14 BCS  
9746X opt.

9746  
2.5x14 BCS  
9746X opt.

9842

9746  
2.5x10 BCS  
9746X opt.

9746  
2.5x16 BCS  
9746X opt.

9746  
2x4 BCS  
9746X opt.

9746  
2.5x14 BCS  
9746X opt.

9746  
2.5x14 BCS  
9746X opt.

9746  
2.5x14 BCS  
9746X opt.

9764  
9764-BLUE opt.  
9764-GRAY opt.  
9764-GRN opt.  
9764-ORNG opt.  
9764-RED opt.

9831

9831

9741  
9744

9745  
4x8x3 SLB  
9745X opt.

9750  
9750A opt.  
9750X opt.

9746  
2.5x14 BCS  
9746X opt.

9746  
2.5x10 BCS  
9746X opt.

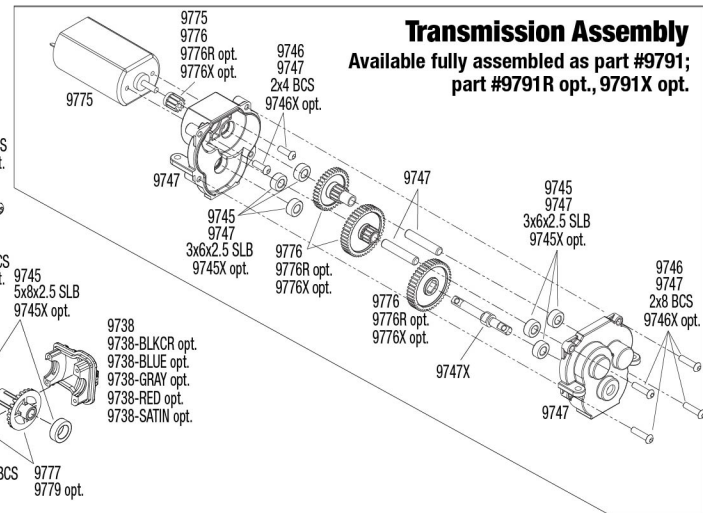
9746  
2.5x16 BCS  
9746X opt.

9746  
2.5x18 BCS  
9746X opt.

9746  
1.6x12 BCS (self-tapping)  
9746X opt.

9746  
2.5x14 BCS  
9746X opt.

9746  
2.5x14 BCS  
9746X opt.



**Transmission Assembly**  
Available fully assembled as part #9791;  
part #9791R opt., 9791X opt.

9775  
9776  
9776R opt.  
9776X opt.

9746  
9747  
2x4 BCS  
9746X opt.

9745  
9747  
3x6x2.5 SLB  
9745X opt.

9776  
9776R opt.  
9776X opt.

9745  
9747  
3x6x2.5 SLB  
9745X opt.

9746  
9747  
2x8 BCS  
9746X opt.

9738  
9738-BLKCR opt.  
9738-BLUE opt.  
9738-GRAY opt.  
9738-RED opt.  
9738-SATIN opt.

9745  
5x8x2.5 SLB  
9745X opt.

9746  
2.5x18 BCS  
9746X opt.

9745  
3.5x7x2.5 SLB  
9745X opt.

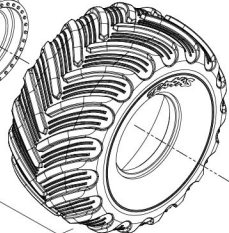
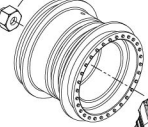
9750  
9750A opt.  
9750X opt.

9746  
2x4 BCS  
9746X opt.

9867

# TRX4MT

## Rear Assembly



9746  
2.5x0.45 NL  
5158  
9746X opt.

REV 240422-R01

See Parts List for a complete listing of optional accessories.

Specifications on this page are subject to change without notice. Every attempt has been made to ensure the accuracy of this drawing; however, Traxxas cannot be held responsible for typographical or other errors.



# TRX-4MT™ 1/18 1979 Chevrolet® K10 Monster Truck (Model 98064-1) Parts List

Parts shown in bold are optional accessories. Part categories and individual part listings are arranged alphabetically.

Axle Components	Body & Accessories (1979 Ford® F-150® Truck)
9787-BLUE Axle cover, 6061-T6 aluminum (blue-anodized) (2)/ 1.6x12mm BCS (with threadlock) (8)	9812 Body, Ford F-150 Truck (1979), complete (unassembled) (white, requires painting) (includes grille, side mirrors, door handles, roll bar, windshield wipers, side trim, & clipless mounting) (requires #9834 front & rear bumpers)
9787-GRAY Axle cover, 6061-T6 aluminum (dark titanium-anodized) (2)/ 1.6x12mm BCS (with threadlock) (8)	9812-BLK Body, Ford F-150 Truck (1979), complete, black (includes grille, side mirrors, door handles, roll bar, windshield wipers, side trim, & clipless mounting) (requires #9834 front & rear bumpers)
9787-GRN Axle cover, 6061-T6 aluminum (green-anodized) (2)/ 1.6x12mm BCS (with threadlock) (8)	9812-BLUE Body, Ford F-150 Truck (1979), complete, blue (includes grille, side mirrors, door handles, roll bar, windshield wipers, side trim, & clipless mounting) (requires #9834 front & rear bumpers)
9787-ORNG Axle cover, 6061-T6 aluminum (orange-anodized) (2)/ 1.6x12mm BCS (with threadlock) (8)	9812-BROWN Body, Ford F-150 Truck (1979), complete, brown (includes grille, side mirrors, door handles, roll bar, windshield wipers, side trim, & clipless mounting) (requires #9834 front & rear bumpers)
9787-RED Axle cover, 6061-T6 aluminum (red-anodized) (2)/ 1.6x12mm BCS (with threadlock) (8)	9812-GRN Body, Ford F-150 Truck (1979), complete, green (includes grille, side mirrors, door handles, roll bar, windshield wipers, side trim, & clipless mounting) (requires #9834 front & rear bumpers)
9787 Axle cover, brass (8 grams each) (2)/ 1.6x12mm CS (with threadlock) (8)	9812-RED Body, Ford F-150 Truck (1979), complete, red (includes grille, side mirrors, door handles, roll bar, windshield wipers, side trim, & clipless mounting) (requires #9834 front & rear bumpers)
9738-BLKCR Axle cover, front or rear (black chrome) (2)	9812-WHT Body, Ford F-150 Truck (1979), complete, white (includes grille, side mirrors, door handles, roll bar, windshield wipers, side trim, & clipless mounting) (requires #9834 front & rear bumpers)
9738 Axle cover, front or rear (black) (2)	9899 Decal sheet, 1/18 scale TRX-4MT™ Ford F-150 Monster Truck (1979)
9738-BLUE Axle cover, front or rear (blue) (2)	9828 Decal sheet, Ford F-150 Truck (1979)
9738-GRAY Axle cover, front or rear (gray) (2)	9816 Door handles (left & right)/ mirrors, side (left & right)/ windshield wipers (fits #9812 body)
9738-RED Axle cover, front or rear (red) (2)	9858 Engine detail/ trimming template (for #9811 & 9812 series bodies)
9738-SATIN Axle cover, front or rear (satin chrome) (2)	9819 Front grille/ tailgate panel (white, requires painting)/ LED lenses (rear, left & right) (unassembled) (fits #9812 body)
9741 Axle housing, front & rear	9825 Latch, body mount, front (1)/ rear (1) (for clipless body mounting) (attaches to #9812 body)
9729X Axle shaft, front (hardened steel) (1)	9823 LED lenses, body, front & rear (complete set) (fits #9812 body)
9730X Axle shaft, rear (hardened steel) (1)	9824 Side trim, left & right (chrome) (fits #9812 body)
9756 Axle shafts, front (2), rear (2)/ stub axles, front (2) (hardened steel)/ 1.5x7.8mm pins (2)/ 1.5x6mm pins (4)/ cross pins (2)	9815 Windows, body (fits #9812 body)
9729 Axle shafts, front, outer (2)	9815X Windows, body (tinted) (fits #9812 body)
9730 Axle shafts, rear, outer (2)	
9743 Axle, front (assembled)/ M2.5x0.45 NL (2)	Bumpers & Skidplates
9744 Axle, rear (assembled)/ M2.5x0.45 NL (2)	9836 Bumper mount (front (1)/ rear (1)) (fits #9835 bumpers)
9779 Gears, axle (metal, front & rear)	9847 Bumper, front (1)/ rear (1)
9754 Rebuild kit, constant-velocity driveshaft (includes pins for 2 driveshaft assemblies) (for front driveshafts or #9751 metal center driveshafts)	9765 Skidplate, axle, front or rear (stainless steel) (2)
9777 Ring gear, axle (2)/ pinion gear, axle (2)	9860 Skidplate, center
9765 Skidplate, axle, front or rear (stainless steel) (2)	Chassis & Attachments
9753 Stub axle, front (2)/ cross pins (2)/ drive pins (4)	9727 Battery strap
9753X Stub axle, front (hardened steel) (1)	9836 Bumper mount (front (1)/ rear (1)) (fits #9835 bumpers)
Bearings & Bushings	9840 Chassis rails, 220mm (steel) (left & right)
9745X Ball bearing kit, black rubber sealed, complete (3x6x2.5mm (8), 5x8x2.5mm (4), 4x8x3mm (4), 8x12x3.5mm (2), 3.5x7x2.5mm (4))	9739-BLUE Servo mount, 6061-T6 aluminum (blue-anodized)
9745R Ball bearing kit, transmission, black rubber sealed (contains 3x6x2.5mm bearings (6))	9739-GRAY Servo mount, 6061-T6 aluminum (dark titanium-anodized)
9745 Bushing kit, self-lubricating, complete (3x6x2.5mm (8), 5x8x2.5mm (4), 4x8x3mm (4), 8x12x3.5mm (2), 3.5x7x2.5mm (4))	9739-GRN Servo mount, 6061-T6 aluminum (green-anodized)
Body & Accessories (1979 Chevrolet® K10 Truck)	9739-ORNG Servo mount, 6061-T6 aluminum (orange-anodized)
9811 Body, Chevrolet K10 Truck (1979), complete (unassembled) (white, requires painting) (includes grille, side mirrors, door handles, roll bar, windshield wipers, & clipless mounting) (requires #9835 front & rear bumpers)	9739-RED Servo mount, 6061-T6 aluminum (red-anodized)
9811-BLK Body, Chevrolet K10 Truck (1979), complete, black (includes grille, side mirrors, door handles, roll bar, windshield wipers, & clipless mounting) (requires #9835 front & rear bumpers)	9739 Servo mount, steering/ servo horn
9811-BLUE Body, Chevrolet K10 Truck (1979), complete, blue (includes grille, side mirrors, door handles, roll bar, windshield wipers, & clipless mounting) (requires #9835 front & rear bumpers)	9831 Shock mounts, dual, front & rear (left & right, upper & lower)
9811-RED Body, Chevrolet K10 Truck (1979), complete, red (includes grille, side mirrors, door handles, roll bar, windshield wipers, & clipless mounting) (requires #9835 front & rear bumpers)	Driveline Components
9898 Decal sheet, 1/18 scale TRX-4MT™ Chevrolet K10 Monster Truck (1979)	9855 Driveshafts, center, assembled (front & rear) (fits 1/18 scale TRX-4MT™ vehicles with 161mm wheelbase)
9827 Decal sheet, 1/18 scale TRX-4MT™ Chevrolet K10 Truck (1979)	Hardware
9817 Door handles (left & right)/ mirrors, side (left & right)/ windshield wipers (fits #9811 body)	9746 Hardware kit, complete (contains all hardware used on 1/18 scale TRX-4MT™) (includes clear plastic storage container)
9858 Engine detail/ trimming template (for #9811 & 9812 series bodies)	9746X Hardware kit, stainless steel, complete (contains all stainless steel hardware used on 1/18-scale TRX-4MT™) (includes body hardware and clear plastic storage container)
9820 Front grille/ tailgate panel/ LED lenses (rear, left, & right) (fits #9811 body)	LED Lights
9813 Latch, body mount, front (1)/ rear (1) (for clipless body mounting) (attaches to #9811 body)	9883 Pro Scale® LED light set, front & rear, complete (includes light harness, zip ties (6)) (fits #9811 body)
9818 LED lenses, body, front & rear (complete set) (fits #9811 body)	9786 Wire harness, LED lights (front)/ zip ties (2)
9814 Windows, body (fits #9811 body)	
9814X Windows, body (tinted) (fits #9811 body)	

**Motors & Electronics**

9785	ECM-2.5 Electronic Control Module, waterproof (low voltage detection, fwd/rev/brake)
2064R	Gear set, metal (for 2065R waterproof sub-micro servo)
9793-BLUE	Heat sink, Titan® 87T motor (6061-T6 aluminum, blue-anodized)
9793-GRAY	Heat sink, Titan® 87T motor (6061-T6 aluminum, dark titanium-anodized)
9793-GRN	Heat sink, Titan® 87T motor (6061-T6 aluminum, green-anodized)
9793-ORNG	Heat sink, Titan® 87T motor (6061-T6 aluminum, orange-anodized)
9793-RED	Heat sink, Titan® 87T motor (6061-T6 aluminum, red-anodized)
9775	Motor, Titan® 87T (87-turn, 180 size)/ pinion gear, 11-tooth (metal)
2063A	Servo case/gaskets (for 2065A waterproof sub-micro servo)
9740	Servo horn (metal)
2065R	Servo, sub-micro, waterproof, metal gear

**Radio System, Batteries & Chargers**

2821	750mAh 7.4V 2-Cell 20C LiPo Battery
2914	AA 4PK
9767	Charger, iD® Balance, USB (2-cell 7.4 volt LiPo with iD® connector only)
2064A	Gear set (for 2065A waterproof sub-micro servo)
2064R	Gear set, metal (for 2065R waterproof sub-micro servo)
2063A	Servo case/gaskets (for 2065A waterproof sub-micro servo)
9740	Servo horn (metal)
2065R	Servo, sub-micro, waterproof, metal gear

**Ready-To-Race Model**

98064-1	TRX-4MT™ Monster Truck with 1979 Chevrolet® K10 Truck Body: 1/18-Scale 4WD Electric Truck with TQ 2.4GHz Radio System
---------	---

**Scale Accessories**

9796	Trailer hitch (assembled)/ trailer coupler/ 3mm spring pre-load spacers (2)/ 2.5x8mm BCS (2)/ 1.6x10mm BCS (self-tapping) (1)
9797	Trailer wheels (2)/ tires (2)/ mounting hardware
9795	Utility trailer/ trailer hitch (assembled)/ 3mm spring pre-load spacers (2)/ 2.5x8mm BCS (2)

**Shock Oil**

5031	Oil, shock (20 wt, 200 cSt, 60cc) (silicone)
5032	Oil, shock (30 wt, 350 cSt, 60cc) (silicone)
5033	Oil, shock (40 wt, 500 cSt, 60cc) (silicone)
5034	Oil, shock (50 wt, 600 cSt, 60cc) (silicone)
5035	Oil, shock (60 wt, 700 cSt, 60cc) (silicone)
5036	Oil, shock (70 wt, 900 cSt, 60cc) (silicone)
5037	Oil, shock (80 wt, 1,000 cSt, 60cc) (silicone)
5029	Shock oil bottle (60cc) (for mixing shock oil)
5038X	Shock oil set (includes 20 wt, 30 wt, 40 wt, 50 wt, 60 wt, 70 wt, & 80 wt premium shock oils with spinning carousel rack)
5038	Spinning carousel rack

**Shocks**

9763	Body, GTM shock (molded composite) (gray) (2)
9763-BLUE	Body, GTM shock, 6061-T6 aluminum (blue-anodized) (includes spring pre-load spacers) (2)
9763-GRAY	Body, GTM shock, 6061-T6 aluminum (dark titanium-anodized) (includes spring pre-load spacers) (2)
9763-GRN	Body, GTM shock, 6061-T6 aluminum (green-anodized) (includes spring pre-load spacers) (2)
9763-ORNG	Body, GTM shock, 6061-T6 aluminum (orange-anodized) (includes spring pre-load spacers) (2)
9763-RED	Body, GTM shock, 6061-T6 aluminum (red-anodized) (includes spring pre-load spacers) (2)
9761A	Lower retainer, shock, brass (1 gram each) (4)
9762	Rebuild kit, GTM shock (o-rings, spacers, bladders, bottom caps) (renews 2 shocks)
9762A	Shock cap (2)/ spring perch (2)/ rod end (2)/ spring preload spacer (4)
9764	Shocks, GTM (assembled w/o springs) (2)
9764-BLUE	Shocks, GTM, 6061-T6 aluminum (blue-anodized) (fully assembled w/o springs) (4)
9764-GRAY	Shocks, GTM, 6061-T6 aluminum (dark titanium-anodized) (fully assembled w/o springs) (4)
9764-GRN	Shocks, GTM, 6061-T6 aluminum (green-anodized) (fully assembled w/o springs) (4)
9764-ORNG	Shocks, GTM, 6061-T6 aluminum (orange-anodized) (fully assembled w/o springs) (4)
9764-RED	Shocks, GTM, 6061-T6 aluminum (red-anodized) (fully assembled w/o springs) (4)
9757	Spring, shock (GTM) (0.072 rate) (1 pair)
9758	Spring, shock (GTM) (0.095 rate) (1 pair)
9759	Spring, shock (GTM) (0.123 rate) (1 pair)
9760	Spring, shock (GTM) (0.155 rate) (1 pair)

**Springs**

9757	Spring, shock (GTM) (0.072 rate) (1 pair)
9758	Spring, shock (GTM) (0.095 rate) (1 pair)
9759	Spring, shock (GTM) (0.123 rate) (1 pair)
9760	Spring, shock (GTM) (0.155 rate) (1 pair)

**Steering Components**

9733-BLUE	Caster blocks, 6061-T6 aluminum (blue-anodized) (left & right)
9733-GRAY	Caster blocks, 6061-T6 aluminum (dark titanium-anodized) (left & right)
9733-GRN	Caster blocks, 6061-T6 aluminum (green-anodized) (left & right)
9733-ORNG	Caster blocks, 6061-T6 aluminum (orange-anodized) (left & right)
9733-RED	Caster blocks, 6061-T6 aluminum (red-anodized) (left & right)
9733	Caster blocks, brass (4 grams each) (left & right)
9737-BLUE	Steering blocks, 6061-T6 aluminum (blue-anodized) (left & right)/ 2.5x12mm BCS (with threadlock) (2)/ 2x6mm SS (with threadlock) (4)
9737-GRAY	Steering blocks, 6061-T6 aluminum (dark titanium-anodized) (left & right)/ 2.5x12mm BCS (with threadlock) (2)/ 2x6mm SS (with threadlock) (4)
9737-GRN	Steering blocks, 6061-T6 aluminum (green-anodized) (left & right)/ 2.5x12mm BCS (with threadlock) (2)/ 2x6mm SS (with threadlock) (4)
9737-ORNG	Steering blocks, 6061-T6 aluminum (orange-anodized) (left & right)/ 2.5x12mm BCS (with threadlock) (2)/ 2x6mm SS (with threadlock) (4)
9737-RED	Steering blocks, 6061-T6 aluminum (red-anodized) (left & right)/ 2.5x12mm BCS (with threadlock) (2)/ 2x6mm SS (with threadlock) (4)
9737	Steering blocks, brass (7 grams each) (left & right)/ 2.5x12mm BCS (with threadlock) (2)/ 2x6mm SS (with threadlock) (4)
9732	Steering blocks, left & right/ caster blocks (c-hubs), left or right (2)
9748-BLUE	Steering link, 6061-T6 aluminum (blue-anodized)/ servo horn, metal/ spacers (2)/ 3x6mm CCS (with threadlock) (1)/ 2.5x7mm SS (with threadlock) (1)
9748-GRAY	Steering link, 6061-T6 aluminum (dark titanium-anodized)/ servo horn, metal/ spacers (2)/ 3x6mm CCS (with threadlock) (1)/ 2.5x7mm SS (with threadlock) (1)
9748-GRN	Steering link, 6061-T6 aluminum (green-anodized)/ servo horn, metal/ spacers (2)/ 3x6mm CCS (with threadlock) (1)/ 2.5x7mm SS (with threadlock) (1)
9748-ORNG	Steering link, 6061-T6 aluminum (orange-anodized)/ servo horn, metal/ spacers (2)/ 3x6mm CCS (with threadlock) (1)/ 2.5x7mm SS (with threadlock) (1)
9748-RED	Steering link, 6061-T6 aluminum (red-anodized)/ servo horn, metal/ spacers (2)/ 3x6mm CCS (with threadlock) (1)/ 2.5x7mm SS (with threadlock) (1)
9842	Suspension link set, complete (front & rear) (includes steering link (1), front lower links (2), front upper links (2), rear links (4)) (assembled with hollow balls) (fits 1/18 scale vehicles with long wheelbase)

**Suspension Linkage**

7028	Hollow balls (20)
7028X	Hollow balls, steel (machined) (22)
7059	Rod ends (8)/ hollow balls (8) (fits 1/16 and 1/18 accessory suspension links)
9842	Suspension link set, complete (front & rear) (includes steering link (1), front lower links (2), front upper links (2), rear links (4)) (assembled with hollow balls) (fits 1/18 scale vehicles with long wheelbase)

**Team Traxxas Items**

9916	Backpack, RC car carrier, 12" x 12" x 24" (fits TRX-4 & similar)
2514	Decal sheet, racing sponsors
9917	Duffel bag, medium, 30" x 12" x 12" (fits 1/10 Slash®, TRX-4®, & similar)
9950	Official Team Traxxas® racing decal set(flag logo/ 6-color)
9909	Traxxas® racing banner, red & black (3x7 feet)

**Tires & Wheels**

9774	Tires & wheels, assembled (black 1.0" wheels, BFGoodrich® Mud-Terrain™ T/A® KM3 2.2x1.0" tires) (2)
9773	Tires & wheels, assembled (black 1.0" wheels, Canyon Trail 2.2x1.0" tires) (2)
9873	Tires & wheels, assembled (chrome 1.0" wheels, Mickey Thompson® Baja Pro™ Xs 2.4x1.0" tires) (2)
9867	Tires & wheels, assembled (chrome 1.2" wheels, Terra Groove 3.0x1.0" tires) (2)
9771	Tires, BFGoodrich® Mud-Terrain™ T/A® KM3 2.2x1.0" (2)
9769	Tires, Canyon Trail 2.2x1.0" (2)
9782	Tires, Mickey Thompson® Baja Pro™ X 2.2x1.0" (2)
9871	Tires, Mickey Thompson® Baja Pro™ Xs 2.4x1.0" (2)
9750	Wheel hubs, 7mm hex (4)/ axle pins (8)

**Page 3 TRX-4MT™ 1/18 1979 Chevrolet® K10 Monster Truck (Model 98064-1) Parts List**

- 9750A Wheel hubs, 7mm hex (steel) (4)/ axle pins (8)
- 9750X Wheel hubs, 7mm hex, brass (1 gram each) (4)/ axle pins (8)
- 9780 Wheel weights, brass (31 grams each) (2) (requires #9781 series wheels)
- 9768-BLKCR Wheels, 1.0" (black chrome) (2)
- 9770-BLKCR Wheels, 1.0" (black chrome) (2)
- 9770 Wheels, 1.0" (black) (2)
- 9768 Wheels, 1.0" (black) (2)
- 9870 Wheels, 1.0" (chrome) (2)
- 9768-SATIN Wheels, 1.0" (satin chrome) (2)
- 9770-SATIN Wheels, 1.0" (satin chrome) (2)
- 9781 Wheels, 1.0", Method Race Wheels® 105 Beadlock (black, beadlock) (2)
- 9781-BLKBL Wheels, 1.0", Method Race Wheels® 105 Beadlock (satin black chrome with blue beadlock) (2)
- 9781-SATIN Wheels, 1.0", Method Race Wheels® 105 Beadlock (satin chrome, beadlock) (2)

If you have questions or need technical assistance, call Traxxas at:

**1-888-TRAXXAS**

(1-888-872-9927) (U.S. residents only)

For orders, calls outside the U.S., and other information, call 972-549-3000, or fax to 972-549-3011 e-mail Traxxas at support@Traxxas.com

**TRAXXAS.COM**

**Transmission Components**

- 9745R Ball bearing kit, transmission, black rubber sealed (contains 3x6x2.5mm bearings) (6)
- 9776 Gear set, transmission, high range (trail) (16.6:1 reduction ratio)/ pinion gear, 11-tooth
- 9776R Gear set, transmission, low range (crawl) (40.3:1 reduction ratio)/ pinion gear, 11-tooth
- 9776X Gear set, transmission, speed (9.7:1 reduction ratio)/ pinion gear, 11-tooth
- 9747 Gearbox housing (front & rear)/ 2x4mm BCS (with threadlock) (2)/ 2x8mm BCS (4)/ 3x6x2.5mm bushings, self-lubricating (6)/ 3x16mm pins (2)
- 9747X Output shaft, transmission
- 9791 Transmission, complete (high range (trail) gearing) (16.6:1 reduction ratio) (assembled with ball bearings) (includes Titan® 87T motor)
- 9791R Transmission, complete (low range (crawl) gearing) (40.3:1 reduction ratio) (assembled with ball bearings) (includes Titan® 87T motor)
- 9791X Transmission, complete (speed gearing) (9.7:1 reduction ratio) (assembled with ball bearings) (includes Titan® 87T motor)

**Traxxas Tools**

- 3433X Body reamer (aluminum handle)
- 3433 Body reamer (plastic handle)
- 3436 Cap, body reamer
- 3432 Scissors, curved tip
- 3431 Scissors, straight tip
- 8712 Speed Bit Essentials Set, hex and nut driver, 7-piece, includes premium handle (medium), travel pouch, hex drivers (straight: 1.5mm, 2.0mm, 2.5mm) and nut drivers (5.0mm, 5.5mm, 7.0mm, and 8.0mm), 1/4" drive
- 8720 Speed bit handle, large (overmolded)
- 8721 Speed bit handle, medium (one piece)
- 8722 Speed bit handle, premium (rubber overmold)
- 8710 Speed Bit Master Set, hex and nut driver, 13-piece, includes premium handle (medium), travel pouch, hex drivers (straight: 1.5mm, 2.0mm, 2.5mm, 3.0mm), (ball-end: 2.0mm, 2.5mm, 3.0mm), and nut drivers (4.0mm, 4.5mm, 5.0mm, 5.5mm, 7.0mm, 8.0mm), 1/4" drive
- 8711 Speed Bit Master Set, hex driver, 7-piece straight and ball end, includes premium handle (medium), travel pouch, hex drivers (straight: 1.5mm, 2.0mm, 2.5mm, 3.0mm) (ball end: 2.0mm, 2.5mm, 3.0mm), 1/4" drive
- 8719 Speed Bit Master Set, nut driver, 6-piece, includes premium handle (medium), travel pouch, and nut drivers (4.0mm, 4.5mm, 5.0mm, 5.5mm, 7.0mm, 8.0mm), 1/4" drive
- 8716 Speed Bit Set, hex driver, 2-piece ball-end (2.0mm, 2.5mm), 1/4" drive
- 8716X Speed Bit Set, hex driver, 3-piece ball-end (2.0mm, 2.5mm, 3.0mm) 1/4" drive
- 8715 Speed Bit Set, hex driver, 3-piece straight (1.5mm, 2.0mm, 2.5mm), 1/4" drive
- 8715X Speed Bit Set, hex driver, 4-piece straight (1.5mm, 2.0mm, 2.5mm, 3.0mm), 1/4" drive
- 8714 Speed Bit Set, screwdriver, 3-piece straight (3mm slotted, #1 Phillips, and #2 Phillips bits), 1/4" drive
- 2748R Tool set (includes 1.5mm hex wrench / 2.0mm hex wrench / 2.5mm hex wrench/ 4-way wrench/ 8mm & 4mm wrench/ U-joint wrench)
- 3415 Tool set with pouch (includes 1.5mm, 2.0mm, 2.5mm, 3.0mm, 3.5mm, 4mm drivers/4mm, 5mm, 5.5mm, 7mm, and 8mm nut drivers/ 2mm, 3mm, and 4mm slotted screwdrivers/ #00 Phillips, #0 Phillips, and #1 Phillips screwdrivers/ 4mm and 8mm wrenches/ driver handle)