



Mini Maxx® (Model 107154-1) Parts List

Parts shown in bold are optional accessories. Part categories and individual part listings are arranged alphabetically.

Bearings & Bushings

- 5119A Ball bearings, black rubber sealed (10x15x4mm) (2)
- 5120A Ball bearings, black rubber sealed (12x18x4mm) (2)
- 5115A Ball bearings, black rubber sealed (5x10x4mm) (2)**
- 5116A Ball bearings, black rubber sealed (5x11x4mm) (2)
- 5114A Ball bearings, black rubber sealed (5x8x2.5mm) (2)**
- 10719 Ball bearings, black rubber sealed (7x14x3.5mm) (2)
- 5103A Ball bearings, black rubber sealed (7x14x5mm) (2)
- 5118A Ball bearings, black rubber sealed (8x16x5mm) (2)
- 5119 Ball bearings, blue rubber sealed (10x15x4mm) (2)**
- 5120 Ball bearings, blue rubber sealed (12x18x4mm) (2)**
- 5116 Ball bearings, blue rubber sealed (5x11x4mm) (2)**
- 5118 Ball bearings, blue rubber sealed (8x16x5mm) (2)**
- 5115 Ball bearings, blue rubber shield (5x10x4mm) (2)
- 5114 Ball bearings, blue rubber shield (5x8x2.5mm) (2)**

Body & Accessories

- 10720 Body reinforcement set (fits #10711 body)
- 10711 Body, Mini Maxx® (clear, requires painting)/ window masks/ decal sheet (includes front & rear body latches, hardware) (for clipless mounting)**
- 10711-BLK Body, Mini Maxx®, black (painted, decals applied)
- 10711-BLUE Body, Mini Maxx®, blue (painted, decals applied)
- 10711-GRN Body, Mini Maxx®, green (painted, decals applied)
- 10711-ORNG Body, Mini Maxx®, orange (painted, decals applied)
- 10711X Body, Mini Maxx®, ProGraphix® (graphics are printed, requires paint & final color application)/ decals (includes front & rear body latches, hardware) (for clipless mounting)**
- 10721 Latch, body mount, front & rear (for clipless body mounting) (attaches to #10711 body)
- 10717-BLK Skid plate (roof)/ tailgate protector (black)/ mounts (2)/ 3x8mm BCS (7) (fits #10711 body)**
- 10717-BLUE Skid plate (roof)/ tailgate protector (blue)/ mounts (2)/ 3x8mm BCS (7) (fits #10711 body)**
- 10717-GRN Skid plate (roof)/ tailgate protector (green)/ mounts (2)/ 3x8mm BCS (7) (fits #10711 body)**
- 10717-ORNG Skid plate (roof)/ tailgate protector (orange)/ mounts (2)/ 3x8mm BCS (7) (fits #10711 body)**
- 10717-RED Skid plate (roof)/ tailgate protector (red)/ mounts (2)/ 3x8mm BCS (7) (fits #10711 body)**

Bumpers & Skidplates

- 10735-BLKCR Bumper, front (1)/ rear (1) (black chrome)**
- 10735-BLK Bumper, front (1)/ rear (1) (black)
- 10737 Skid plate, front (1), rear (1)

Chassis & Attachments

- 10724 Adapters, electronic speed control (inner (3), outer (3))
- 10726-BLUE Battery hold-down, hold-down post (blue-anodized 6061-T6 aluminum)/ 3x15mm BCS (with threadlock) (1)**
- 10726-GRAY Battery hold-down, hold-down post (gray-anodized 6061-T6 aluminum)/ 3x15mm BCS (with threadlock) (1)**
- 10726-GRN Battery hold-down, hold-down post (green-anodized 6061-T6 aluminum)/ 3x15mm BCS (with threadlock) (1)**
- 10726-ORNG Battery hold-down, hold-down post (orange-anodized 6061-T6 aluminum)/ 3x15mm BCS (with threadlock) (1)**
- 10726-RED Battery hold-down, hold-down post (red-anodized 6061-T6 aluminum)/ 3x15mm BCS (with threadlock) (1)**
- 10726 Battery hold-down/ battery clip/ hold-down post
- 10728 Bulkhead, front (upper & lower)
- 10729 Bulkhead, rear (upper & lower)
- 10722 Chassis
- 10777 Covers, gear (1)/ receiver (1)/ center driveshaft (1)
- 10723 Nerf bars, chassis (2)
- 10739 Shock tower, front
- 10738 Shock tower, rear

Differential Components

- 10781 Carrier, differential (planetary gears)/ o-rings (2)/ ring gear gasket
- 10780 Differential assembly (bevel gear), front or rear, complete (fits Mini Maxx®)**
- 10760R Differential kit, center (complete with steel spur gear) (aluminum carrier) (requires #10757 & #10762)**
- 10760 Differential kit, center (complete) (requires #10757 & 10762)**
- 10782 Gear set, differential (output gears (2), output gear shaft (1), planetary gears (4), planetary gear shafts (4), differential spacers (2))
- 6783 Gear set, differential (spider gears (4)/ spider gear shaft (2))**

- 6781 Housing, center differential (aluminum)/ x-ring gaskets (2)/ ring gear gasket (1)/ bushings (4)/ 5x10x0.5 PTW (1)/ 2.5x10 CCS (with threadlock) (4)**
- 9081 Housing, center differential/ x-ring gaskets (2)/ 5x10x0.5 PTFE-coated washer (1)/ 2.5x10 CCS (4)**
- 10762 Pinion gear, differential (12/47 ratio) (rear) (requires #10757 with either #10758 or 10760)**
- 10778 Ring gear, differential, 47-tooth/ pinion gear, differential, 12-tooth (planetary) (front)
- 10779 Ring gear, differential, 47-tooth/ pinion gear, differential, 12-tooth (planetary) (rear)
- 10761 Spur gear, 47-tooth (0.8 metric pitch, compatible with 32-pitch) (for center differential)**
- 10761X Spur gear, steel, 47-tooth (0.8 metric pitch, compatible with 32-pitch) (for center differential)**

Driveline Components

- 9059X Cross pin (2)/ drive pin (2) (repairs 1 axle shaft)**
- 10753 Differential output yoke assembly, extreme heavy duty (1) (left or right, front or rear) (assembled with external-splined half shaft)/ screw pin
- 10747X Drive cup, steel (1)/ screw pin (1)**
- 6888 Drive hub, center, rear (1)/ 4x3 GS (1)**
- 10750 Driveshaft assembly (left or right, front or rear) (1) (fully assembled, ready to install)/ screw pin (1)
- 10757X Driveshaft, center, aluminum (requires #10762 with either #10758 or 10760)**
- 10755 Driveshaft, center, plastic (black)
- 10757 Driveshaft, center, plastic (requires #10762 with either #10758 or 10760)**
- 10748X Driveshaft, steel constant-velocity (shaft only, 53.5mm) (1)**
- 10750X Driveshafts, steel constant-velocity (assembled), front or rear (4)/ drive cups (4)/ screw pins (4)**
- 8347 Nuts, 4mm flanged nylon locking, serrated (black) (10)
- 10758 Slipper clutch, complete (fits Mini Maxx®) (requires #10757 & 10762)
- 10759 Spur gear, 47-tooth (for slipper clutch) (0.8 metric pitch, compatible with 32-pitch)**
- 10754 Stub axle assembly, outer, extreme heavy duty (1) (left or right, front or rear) (assembled with internal-splined half shaft)
- 9054X Stub axle, front, steel-splined constant velocity (1)**
- 3654 Wheel hubs, hex (front) (tall offset) (2)/ axle pins (2.5x10mm) (2)

Front Suspension & Steering

- 10733-BLUE Caster blocks (c-hubs), 6061-T6 aluminum (blue-anodized) (left & right)**
- 10733-GRAY Caster blocks (c-hubs), 6061-T6 aluminum (gray-anodized) (left & right)**
- 10733-GRN Caster blocks (c-hubs), 6061-T6 aluminum (green-anodized) (left & right)**
- 10733-ORNG Caster blocks (c-hubs), 6061-T6 aluminum (orange-anodized) (left & right)**
- 10733-RED Caster blocks (c-hubs), 6061-T6 aluminum (red-anodized) (left & right)**
- 10732-BLK Caster blocks (c-hubs), left & right (black)
- 10732-BLUE Caster blocks (c-hubs), left & right (blue)**
- 10732-GRAY Caster blocks (c-hubs), left & right (gray)**
- 10732-GRN Caster blocks (c-hubs), left & right (green)**
- 10732-ORNG Caster blocks (c-hubs), left & right (orange)**
- 10732-RED Caster blocks (c-hubs), left & right (red)**
- 10753 Differential output yoke assembly, extreme heavy duty (1) (left or right, front or rear) (assembled with external-splined half shaft)/ screw pin
- 10747X Drive cup, steel (1)/ screw pin (1)**
- 10750 Driveshaft assembly (left or right, front or rear) (1) (fully assembled, ready to install)/ screw pin (1)
- 10748X Driveshaft, steel constant-velocity (shaft only, 53.5mm) (1)**
- 10750X Driveshafts, steel constant-velocity (assembled), front or rear (4)/ drive cups (4)/ screw pins (4)**
- 10739 Shock tower, front
- 10743 Steering bellcranks (2)/ draglink (1)/ steering link (1)
- 10743-BLUE Steering bellcranks, draglink (blue-anodized 6061-T6 aluminum)/ 3x13mm SS (with threadlock) (2)/ 3x12mm BCS (with threadlock) (2)/ 5x8x2.5mm ball bearings (2)/ 5x10x4mm ball bearings (2)**
- 10743-GRAY Steering bellcranks, draglink (gray-anodized 6061-T6 aluminum)/ 3x13mm SS (with threadlock) (2)/ 3x12mm BCS (with threadlock) (2)/ 5x8x2.5mm ball bearings (2)/ 5x10x4mm ball bearings (2)**

Page 2 Mini Maxx®: TQ 2.4 GHz Radio (Model 107154-1) Parts List

10743-GRN	Steering bellcranks, draglink (green-anodized 6061-T6 aluminum)/ 3x13mm SS (with threadlock) (2)/ 3x12mm BCS (with threadlock) (2)/ 5x8x2.5mm ball bearings (2)/ 5x10x4mm ball bearings (2)
10743-ORNG	Steering bellcranks, draglink (orange-anodized 6061-T6 aluminum)/ 3x13mm SS (with threadlock) (2)/ 3x12mm BCS (with threadlock) (2)/ 5x8x2.5mm ball bearings (2)/ 5x10x4mm ball bearings (2)
10743-RED	Steering bellcranks, draglink (red-anodized 6061-T6 aluminum)/ 3x13mm SS (with threadlock) (2)/ 3x12mm BCS (with threadlock) (2)/ 5x8x2.5mm ball bearings (2)/ 5x10x4mm ball bearings (2)
10734-BLUE	Steering blocks, 6061-T6 aluminum (blue-anodized) (left & right)/ 3x12mm SS (with threadlock) (4)/ 3x15mm BCS (with threadlock) (2)
10734-GRAY	Steering blocks, 6061-T6 aluminum (gray-anodized) (left & right)/ 3x12mm SS (with threadlock) (4)/ 3x15mm BCS (with threadlock) (2)
10734-GRN	Steering blocks, 6061-T6 aluminum (green-anodized) (left & right)/ 3x12mm SS (with threadlock) (4)/ 3x15mm BCS (with threadlock) (2)
10734-ORNG	Steering blocks, 6061-T6 aluminum (orange-anodized) (left & right)/ 3x12mm SS (with threadlock) (4)/ 3x15mm BCS (with threadlock) (2)
10734-RED	Steering blocks, 6061-T6 aluminum (red-anodized) (left & right)/ 3x12mm SS (with threadlock) (4)/ 3x15mm BCS (with threadlock) (2)
10736-BLK	Steering blocks, left & right (black)
10736-BLUE	Steering blocks, left & right (blue)
10736-GRAY	Steering blocks, left & right (gray)
10736-GRN	Steering blocks, left & right (green)
10736-ORNG	Steering blocks, left & right (orange)
10736-RED	Steering blocks, left & right (red)
10731	Suspension arms, front (upper (2)/ lower left (1)/ lower right (1))
10741X	Suspension pins, inner, upper (hardened steel), 3x45mm (4)
10740X	Suspension pins, outer (hardened steel), 3x34mm (4), 3x37mm (4)
10740	Suspension screw pin set, front or rear, 3x40mm (6), 3x32mm (4), 3x28mm (4), 3x46mm (2)

Hardware

10792	Hardware kit, Mini Maxx® (contains all hardware used on Mini Maxx®)
3229	Screws, 2.5x10mm cap-head machine (hex drive) (6)
3965	Screws, 2.5x8mm cap-head machine (6)
2577	Screws, 3x10mm button-head machine (hex drive) (6)
2551	Screws, 3x10mm countersunk machine (6) (hex drive)
2578	Screws, 3x12mm button-head machine (hex drive) (6)
2593	Screws, 3x14mm button-head machine (hex drive) (6)
2579	Screws, 3x15mm button-head machine (hex drive) (6)
2580	Screws, 3x20mm button-head machine (hex drive) (6)
2554	Screws, 3x6mm caphead machine (hex drive) (6)
3932	Screws, 3x6mm flat-head machine (hex drive) (6)
2576	Screws, 3x8mm button-head machine (hex drive) (6)
2550	Screws, 3x8mm countersunk machine (6) (hex drive)
3642X	Shoulder screws, Ultra Shocks (3x12 hex drive) (6)
10741X	Suspension pins, inner, upper (hardened steel), 3x45mm (4)
10740X	Suspension pins, outer (hardened steel), 3x34mm (4), 3x37mm (4)
10740	Suspension screw pin set, front or rear, 3x40mm (6), 3x32mm (4), 3x28mm (4), 3x46mm (2)

LED Lights

6588X	Accessory power supply (regulated, 3V, 3 amp)/ power tap connector (with cable)/ 3x10 BCS (2)/ 2.6x8 BCS (2)
10797	Bumper, front (with LED lights) (replacement for #10735 front bumper) (requires #6588X power supply)
10798	Bumper, rear (with LED lights) (replacement for #10735 rear bumper) (requires #6588X power supply)
10795	LED light kit, Mini Maxx®, complete (includes front & rear bumpers with LED lights, roof skid plate with LED lights, 3-volt accessory power supply, and power tap connector (with cable) (fits #10711 body)
10799-BLUE	LED light set, blue, complete (underbody) (fits Mini Maxx®) (requires #6588X power supply or #10795 LED light kit)
10799-GRN	LED light set, green, complete (underbody) (fits Mini Maxx®) (requires #6588X power supply or #10795 LED light kit)
10799-RED	LED light set, red, complete (underbody) (fits Mini Maxx®) (requires #6588X power supply or #10795 LED light kit)
10799-WHT	LED light set, white, complete (underbody) (fits Mini Maxx®) (requires #6588X power supply or #10795 LED light kit)
10796	Skid plate, roof (body) (with LED lights) (fits #10711 body) (requires #6588X power supply)

Motors & Electronics

6588X	Accessory power supply (regulated, 3V, 3 amp)/ power tap connector (with cable)/ 3x10 BCS (2)/ 2.6x8 BCS (2)
3382	BL-2s™ Brushless Power System, waterproof (includes BL-2s™ ESC & BL-2s™ 3300 motor)
3383	BL-2s™ Electronic Speed Control, waterproof (brushless) (fwd/rev/brake)
10777	Covers, gear (1)/ receiver (1)/ center driveshaft (1)
2053	Gear set (for 2055, 2056 servos)
2072A	Gear set (for 2070, 2075 servos)
2252	Gear set, metal (for 2250, 2255 servos)
2272	Gear set, metal (for 2270 waterproof servo)
2287	Gear set, metal (for 2280 servo)
3384	Motor, BL-2s™ 3300, brushless
2254	Servo case, aluminum (middle) (blue-anodized) (for 2250 servo)
2253	Servo case, aluminum (middle) (red-anodized) (for 2255 servo)
2251	Servo case, plastic (top, middle, bottom)/ gaskets/ hardware (for 2250, 2255 servos)
2271	Servo case/ gaskets (for 2270 waterproof servo)
2074	Servo case/gaskets (for 2056 and 2075 waterproof servos)
2075	Servo, digital high-torque (ball bearing), waterproof
2250	Servo, digital high-torque 330 coreless, metal gear (ball bearing), waterproof
2255	Servo, digital high-torque 400 brushless, metal gear (ball bearing), waterproof
2280	Servo, digital high-torque 600 brushless, metal gear (ball bearing), waterproof
2270	Servo, digital high-torque, metal gear (ball bearing), waterproof
2056	Servo, high-torque, waterproof (blue case)
3350R	Velineon® VXL-3s Brushless Power System, waterproof (includes VXL-3s waterproof ESC , Velineon® 3500 motor, and speed control mounting plate (part #3725))

Radio System, Batteries & Chargers

2825X	3500mAh 7.4V 2-Cell 25C LiPo Battery
2938X	Adapter, Traxxas® iD® LiPo battery (adapts Traxxas® iD® batteries to separate balance ports)
2943	Battery charge indicators, green (4), grey (4), blue (4)
6548	Battery door, TQ 2.4 transmitter (replacement for #6516, 6517 transmitter)
2914	Battery, Power Cell AA Alkaline (4)
2972	Charger, EZ-Peak Dual, 100W, NiMH/LiPo with iD Auto Battery Identification
2973	Charger, EZ-Peak Live Dual, 200W, NiMH/LiPo with iD Auto Battery Identification
2970	Charger, EZ-Peak Plus, 4 amp, NiMH/LiPo with iD Auto Battery Identification
2981	Charger, EZ-Peak® Plus 4s, 8 amp, NiMH/LiPo with iD® Auto Battery Identification
2985	Charger, EZ-Peak®, USB-C, 40W, NiMH/LiPo with iD® Auto Battery Identification
2920	Charger, USB-C, 2s LiPo (with iD®)
2982	Charger, USB-C, 40W (6 - 7 cell, 7.2 - 8.4 volt, NiMH) (with iD®)
6512	Cover plate, Traxxas® Link Bluetooth® module
2053	Gear set (for 2055, 2056 servos)
2072A	Gear set (for 2070, 2075 servos)
2252	Gear set, metal (for 2250, 2255 servos)
2272	Gear set, metal (for 2270 waterproof servo)
2287	Gear set, metal (for 2280 servo)
2968X	LiPo cell voltage checker/balancer (includes #2938X adapter for Traxxas® iD® batteries)
2968	LiPo cell voltage checker/balancer (requires #2938X adapter for Traxxas® iD® batteries)
2912	Power adapter, AC, USB-C (45W) (110 volt, North America only)
2916	Power cable, USB-C, 100W (high output), 5 ft. (1.5m)
6519	Receiver, micro, TQ 2.4GHz (3-channel)
6533	Receiver, micro, TQi 2.4GHz with telemetry & TSM® (5-channel)
2254	Servo case, aluminum (middle) (blue-anodized) (for 2250 servo)
2253	Servo case, aluminum (middle) (red-anodized) (for 2255 servo)
2251	Servo case, plastic (top, middle, bottom)/ gaskets/ hardware (for 2250, 2255 servos)
2271	Servo case/ gaskets (for 2270 waterproof servo)
2074	Servo case/gaskets (for 2056 and 2075 waterproof servos)
2075	Servo, digital high-torque (ball bearing), waterproof

Page 3 Mini Maxx®: TQ 2.4 GHz Radio (Model 107154-1) Parts List

2280	Servo, digital high-torque 600 brushless, metal gear (ball bearing), waterproof
2056	Servo, high-torque, waterproof (blue case)
6509R	TQi 2.4 GHz High Output radio system, 2-channel, Traxxas® Link enabled, TSM® (2-ch transmitter, 5-ch micro receiver)
6507R	TQi 2.4 GHz High Output radio system, 4-channel with Traxxas® Link Bluetooth® module, TSM® (4-ch transmitter, 5-ch micro receiver)
6516	Transmitter, TQ 2.4GHz, 2-channel (transmitter only)
6528	Transmitter, TQi Traxxas® Link enabled, 2.4GHz high output, 2-channel (transmitter only)
6529	Transmitter, TQi Traxxas® Link enabled, 2.4GHz high output, 3-channel (transmitter only)
6530	Transmitter, TQi Traxxas® Link enabled, 2.4GHz high output, 4-channel (transmitter only)

Ready-To-Race Model

107154-1	Mini Maxx®: 4WD Brushless Electric Monster Truck with TQ™ 2.4GHz Radio System
----------	---

Rear Suspension

10752-BLK	Carriers, stub axle (black) (rear) (left & right)
10752-BLUE	Carriers, stub axle (blue) (rear) (left & right)
10752-GRAY	Carriers, stub axle (gray) (rear) (left & right)
10752-GRN	Carriers, stub axle (green) (rear) (left & right)
10752-ORNG	Carriers, stub axle (orange) (rear) (left & right)
10752-RED	Carriers, stub axle (red) (rear) (left & right)
10751-BLUE	Carriers, stub axle, 6061-T6 aluminum (blue-anodized) (left & right)
10751-GRAY	Carriers, stub axle, 6061-T6 aluminum (gray-anodized) (left & right)
10751-GRN	Carriers, stub axle, 6061-T6 aluminum (green-anodized) (left & right)
10751-ORNG	Carriers, stub axle, 6061-T6 aluminum (orange-anodized) (left & right)
10751-RED	Carriers, stub axle, 6061-T6 aluminum (red-anodized) (left & right)
10753	Differential output yoke assembly, extreme heavy duty (1) (left or right, front or rear) (assembled with external-splined half shaft)/ screw pin
10747X	Drive cup, steel (1)/ screw pin (1)
10750	Driveshaft assembly (left or right, front or rear) (1) (fully assembled, ready to install)/ screw pin (1)
10748X	Driveshaft, steel constant-velocity (shaft only, 53.5mm) (1)
10750X	Driveshafts, steel constant-velocity (assembled), front or rear (4)/ drive cups (4)/ screw pins (4)
10738	Shock tower, rear
10754	Stub axle assembly, outer, extreme heavy duty (1) (left or right, front or rear) (assembled with internal-splined half shaft)
10730	Suspension arms, rear (upper (2)/ lower left (1)/ lower right (1))
10741X	Suspension pins, inner, upper (hardened steel), 3x45mm (4)
10740X	Suspension pins, outer (hardened steel), 3x34mm (4), 3x37mm (4)
10740	Suspension screw pin set, front or rear, 3x40mm (6), 3x32mm (4), 3x28mm (4), 3x46mm (2)

Shock Oil

5031	Oil, shock (20 wt, 200 cSt, 60cc) (silicone)
5032	Oil, shock (30 wt, 350 cSt, 60cc) (silicone)
5033	Oil, shock (40 wt, 500 cSt, 60cc) (silicone)
5034	Oil, shock (50 wt, 600 cSt, 60cc) (silicone)
5035	Oil, shock (60 wt, 700 cSt, 60cc) (silicone)
5036	Oil, shock (70 wt, 900 cSt, 60cc) (silicone)
5037	Oil, shock (80 wt, 1,000 cSt, 60cc) (silicone)
5029	Shock oil bottle (60cc) (for mixing shock oil)
5038X	Shock oil set (includes 20 wt, 30 wt, 40 wt, 50 wt, 60 wt, 70 wt, & 80 wt premium shock oils with spinning carousel rack)
5038	Spinning carousel rack

Shocks (Ultra Shocks)

3765A	Body, Ultra Shock (long) (grey) (2)
1942	Rod ends (16 long & 4 short)/ hollow ball connectors (18)/ ball screws (2)
2742X	Rod ends, short (6)/ hollow balls (6)
3767	Shock caps (2)/ shock bottoms (2)
8361	Shock caps (black) (4) (assembled with hollow balls)
2362	Shock rebuild kit (for 2 shocks)
1664T	Shock shafts, hardened steel, titanium nitride coated (long) (2)
1664	Shock shafts, steel, chrome finish (long) (2)
10765-BLUE	Shocks, GTR long, blue-anodized, PTFE-coated bodies with TiN shafts (assembled with springs) (4)

10765-GRN	Shocks, GTR long, green-anodized, PTFE-coated bodies with TiN shafts (assembled with springs) (4)
10765-ORNG	Shocks, GTR long, orange-anodized, PTFE-coated bodies with TiN shafts (assembled with springs) (4)
10765-RED	Shocks, GTR long, red-anodized, PTFE-coated bodies with TiN shafts (assembled with springs) (4)
1765	Silicone diaphragms (4)
3769	Spring pre-load spacers: 1mm (4)/ 2mm (2)/ 4mm (2)/ 8mm (2)
3768	Spring retainers, upper & lower (2)/ piston head set (2-hole (2)/ 3-hole (2))
2458P	Springs (front) (pink) (2)
2458A	Springs (front) (white) (2)
3757T	Springs, blue (rear) (2)
2458	Springs, front (black) (2)
5857P	Springs, front (pink) (progressive rate) (2)
5857	Springs, front (white) (progressive rate) (2)
3757A	Springs, green (rear) (2)
3757P	Springs, pink (rear) (2)
3757	Springs, rear (black) (2)
5858P	Springs, rear (pink) (progressive rate) (2)
5858	Springs, rear (white) (progressive rate) (2)
4957	Springs, red (for Ultra Shocks only) (2.5 rate) (f/r) (2)
10764	Springs, shock (natural finish) (2)
3757X	Springs, white (rear) (2)
3760	Ultra Shocks (black) (long) (complete w/ spring pre-load spacers & springs) (front) (2)
3760A	Ultra Shocks (gray) (long) (complete w/ spring pre-load spacers & springs) (2)
3760-GRAY	Ultra Shocks (gray) (long) (complete w/ spring pre-load spacers & springs) (4)

Spur Gears & Pinion Gears

3945X	Gear, 15-T pinion (32-p), heavy duty (machined, hardened steel) (fits 3mm shaft)/ set screw
3946X	Gear, 16-T pinion (32-p), heavy duty (machined, hardened steel) (fits 3mm shaft)/ set screw
3947X	Gear, 17-T pinion (32-p), heavy duty (machined, hardened steel) (fits 3mm shaft)/ set screw
3948X	Gear, 18-T pinion (32-p), heavy duty (machined, hardened steel) (fits 3mm shaft)/ set screw
3949X	Gear, 19-T pinion (32-p), heavy duty (machined, hardened steel) (fits 3mm shaft)/ set screw
3950X	Gear, 20-T pinion (32-p), heavy duty (machined, hardened steel) (fits 3mm shaft)/ set screw
3951X	Gear, 21-T pinion (32-p), heavy duty (machined, hardened steel) (fits 3mm shaft)/ set screw
3952X	Gear, 22-T pinion (32-p), heavy duty (machined, hardened steel) (fits 3mm shaft)/ set screw
10762	Pinion gear, differential (12/47 ratio) (rear) (requires #10757 with either #10758 or 10760)
10756	Spur gear, 47-tooth (0.8 metric pitch, compatible with 32-pitch)
10761	Spur gear, 47-tooth (0.8 metric pitch, compatible with 32-pitch) (for center differential)
10759	Spur gear, 47-tooth (for slipper clutch) (0.8 metric pitch, compatible with 32-pitch)
10756X	Spur gear, steel, 47-tooth (0.8 metric pitch, compatible with 32-pitch)
10761X	Spur gear, steel, 47-tooth (0.8 metric pitch, compatible with 32-pitch) (for center differential)

Steering Components

10745	Servo saver/ servo saver spring/ servo horn, steering
10743	Steering bellcranks (2)/ draglink (1)/ steering link (1)
10743-BLUE	Steering bellcranks, draglink (blue-anodized 6061-T6 aluminum)/ 3x13mm SS (with threadlock) (2)/ 3x12mm BCS (with threadlock) (2)/ 5x8x2.5mm ball bearings (2)/ 5x10x4mm ball bearings (2)
10743-GRAY	Steering bellcranks, draglink (gray-anodized 6061-T6 aluminum)/ 3x13mm SS (with threadlock) (2)/ 3x12mm BCS (with threadlock) (2)/ 5x8x2.5mm ball bearings (2)/ 5x10x4mm ball bearings (2)
10743-GRN	Steering bellcranks, draglink (green-anodized 6061-T6 aluminum)/ 3x13mm SS (with threadlock) (2)/ 3x12mm BCS (with threadlock) (2)/ 5x8x2.5mm ball bearings (2)/ 5x10x4mm ball bearings (2)
10743-ORNG	Steering bellcranks, draglink (orange-anodized 6061-T6 aluminum)/ 3x13mm SS (with threadlock) (2)/ 3x12mm BCS (with threadlock) (2)/ 5x8x2.5mm ball bearings (2)/ 5x10x4mm ball bearings (2)
10743-RED	Steering bellcranks, draglink (red-anodized 6061-T6 aluminum)/ 3x13mm SS (with threadlock) (2)/ 3x12mm BCS (with threadlock) (2)/ 5x8x2.5mm ball bearings (2)/ 5x10x4mm ball bearings (2)

Suspension Linkage

10741X	Suspension pins, inner, upper (hardened steel), 3x45mm (4)
10740X	Suspension pins, outer (hardened steel), 3x34mm (4), 3x37mm (4)
10740	Suspension screw pin set, front or rear, 3x40mm (6), 3x32mm (4), 3x28mm (4), 3x46mm (2)
10742	Toe links, front (molded composite) (2)/ hollow balls (4) (61mm center to center)

Team Traxxas Items

9916	Backpack, RC car carrier, 12" x 12" x 24" (fits TRX-4 & similar)
2514	Decal sheet, racing sponsors
9917	Duffel bag, medium, 30" x 12" x 12" (fits 1/10 Slash®, TRX-4®, & similar)
9950	Official Team Traxxas® racing decal set(flag logo/ 6-color)
9909	Traxxas® racing banner, red & black (3x7 feet)

Tires & Wheels

10771-STBLK	Tires & wheels, assembled (black with satin beadlock wheels, dual profile (2.1" outer, 2.6" inner), Sledgehammer® tires, foam inserts)) (front) (2)
10770-STBLK	Tires & wheels, assembled (black with satin beadlock wheels, dual profile (2.1" outer, 2.6" inner), Sledgehammer® tires, foam inserts)) (rear) (2)
10771-GRAY	Tires & wheels, assembled (charcoal gray wheels, dual profile (2.1" outer, 2.6" inner), Sledgehammer® tires, foam inserts)) (front) (2)
10770-GRAY	Tires & wheels, assembled (charcoal gray wheels, dual profile (2.1" outer, 2.6" inner), Sledgehammer® tires, foam inserts)) (rear) (2)
10771-GRN	Tires & wheels, assembled (green wheels, dual profile (2.1" outer, 2.6" inner), Sledgehammer® tires, foam inserts)) (front) (2)
10770-GRN	Tires & wheels, assembled (green wheels, dual profile (2.1" outer, 2.6" inner), Sledgehammer® tires, foam inserts)) (rear) (2)

Traxxas Tools

3433X	Body reamer (aluminum handle)
3433	Body reamer (plastic handle)
3436	Cap, body reamer
3432	Scissors, curved tip
3431	Scissors, straight tip
8712	Speed Bit Essentials Set, hex and nut driver, 7-piece, includes premium handle (medium), travel pouch, hex drivers (straight: 1.5mm, 2.0mm, 2.5mm) and nut drivers (5.0mm, 5.5mm, 7.0mm, and 8.0mm), 1/4" drive
8720	Speed bit handle, large (overmolded)
8721	Speed bit handle, medium (one piece)
8722	Speed bit handle, premium (rubber overmold)
8710	Speed Bit Master Set, hex and nut driver, 13-piece, includes premium handle (medium), travel pouch, hex drivers (straight: 1.5mm, 2.0mm, 2.5mm, 3.0mm), (ball-end: 2.0mm, 2.5mm, 3.0mm), and nut drivers (4.0mm, 4.5mm, 5.0mm, 5.5mm, 7.0mm, 8.0mm), 1/4" drive
8711	Speed Bit Master Set, hex driver, 7-piece straight and ball end, includes premium handle (medium), travel pouch, hex drivers (straight: 1.5mm, 2.0mm, 2.5mm, 3.0mm) (ball end: 2.0mm, 2.5mm, 3.0mm), 1/4" drive
8719	Speed Bit Master Set, nut driver, 6-piece, includes premium handle (medium), travel pouch, and nut drivers (4.0mm, 4.5mm, 5.0mm, 5.5mm, 7.0mm, 8.0mm), 1/4" drive
8716	Speed Bit Set, hex driver, 2-piece ball-end (2.0mm, 2.5mm), 1/4" drive
8716X	Speed Bit Set, hex driver, 3-piece ball-end (2.0mm, 2.5mm, 3.0mm) 1/4" drive
8715	Speed Bit Set, hex driver, 3-piece straight (1.5mm, 2.0mm, 2.5mm), 1/4" drive
8715X	Speed Bit Set, hex driver, 4-piece straight (1.5mm, 2.0mm, 2.5mm, 3.0mm), 1/4" drive
8714	Speed Bit Set, screwdriver, 3-piece straight (3mm slotted, #1 Phillips, and #2 Phillips bits), 1/4" drive
2748R	Tool set (includes 1.5mm hex wrench / 2.0mm hex wrench / 2.5mm hex wrench/ 4-way wrench/ 8mm & 4mm wrench/ U-joint wrench)
3415	Tool set with pouch (includes 1.5mm, 2.0mm, 2.5mm, 3.0mm, 3.5mm, 4mm drivers/4mm, 5mm, 5.5mm, 7mm, and 8mm nut drivers/ 2mm, 3mm, and 4mm slotted screwdrivers/ #00 Phillips, #0 Phillips, and #1 Phillips screwdrivers/ 4mm and 8mm wrenches/ driver handle)

If you have questions or need technical assistance, call Traxxas at:

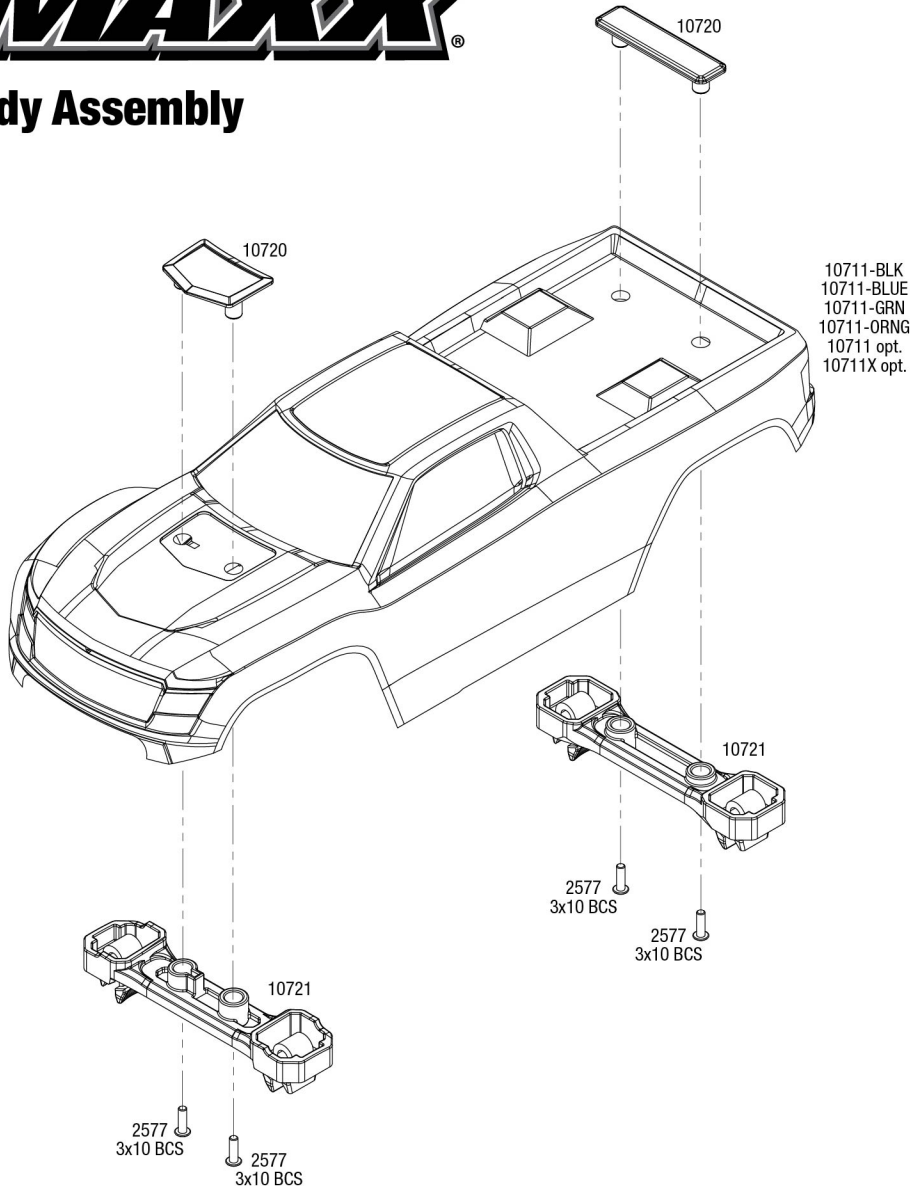
1-888-TRAXXAS

(1-888-872-9927) (U.S. residents only)

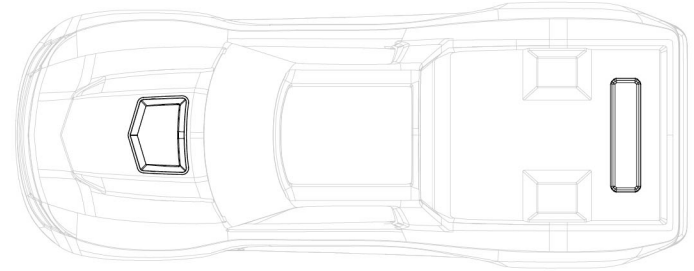
For orders, calls outside the U.S., and other information, call 972-549-3000, or fax to 972-549-3011 e-mail Traxxas at support@Traxxas.com

TRAXXAS.COM

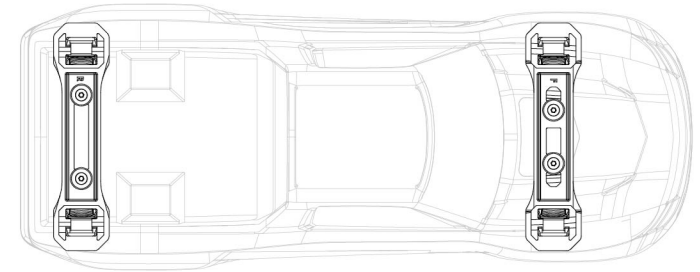
Body Assembly



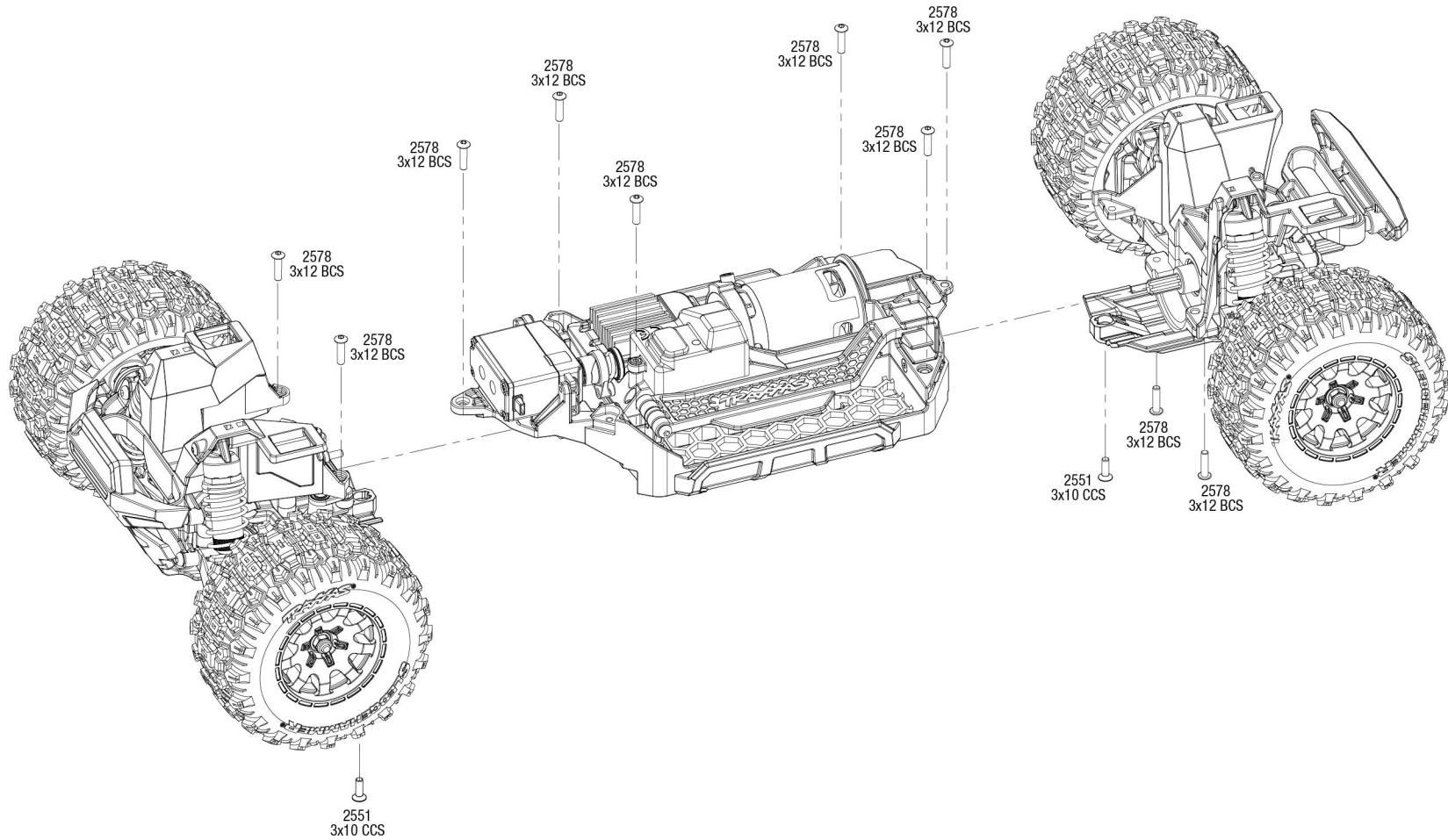
Completed Assembly (view from top)



Completed Assembly (view from bottom)

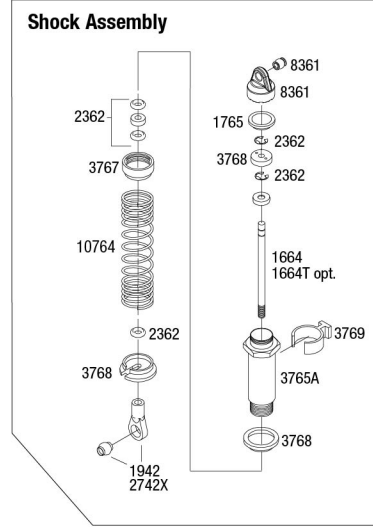
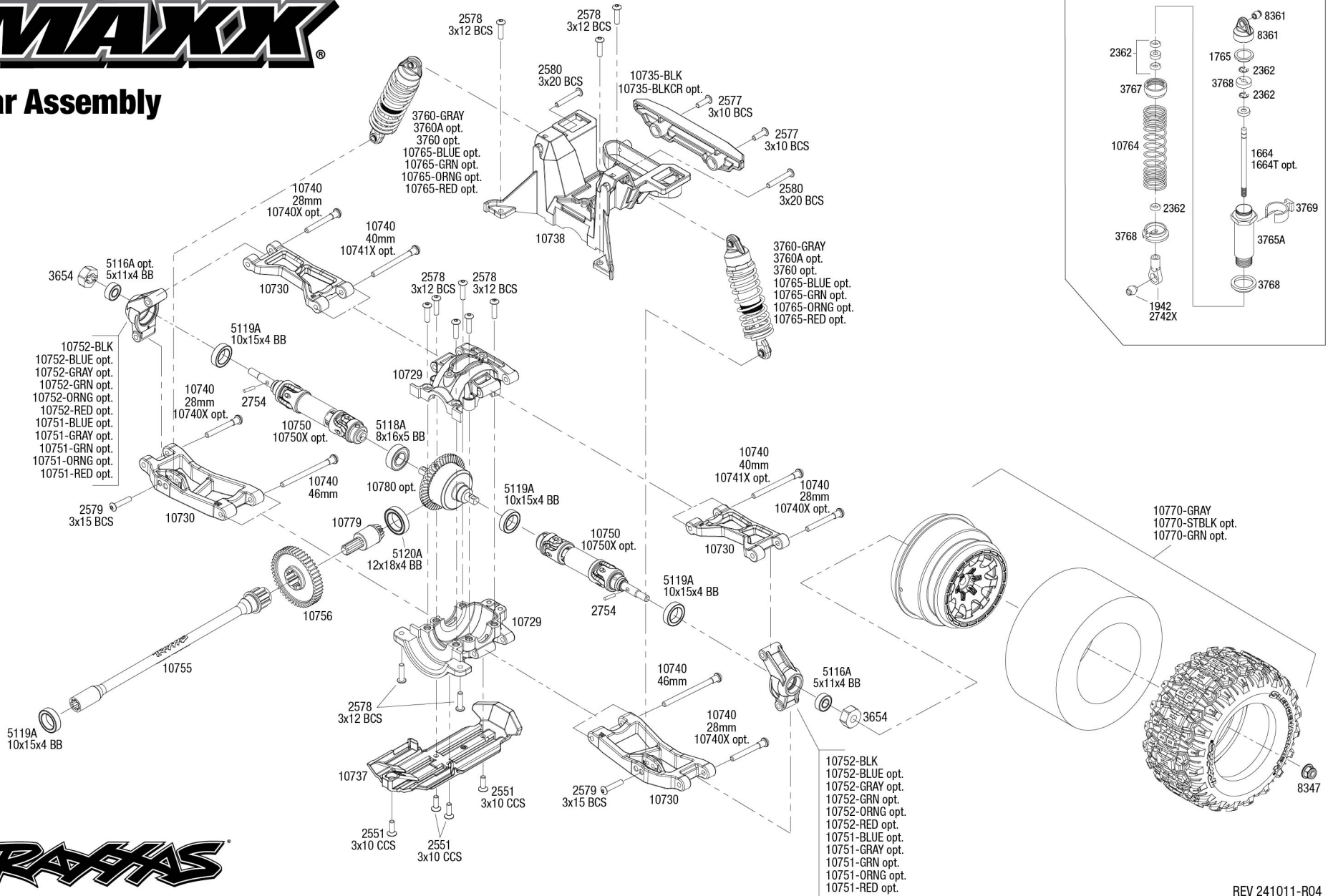


Modular Assembly





Rear Assembly



Specifications on this page are subject to change without notice. Every attempt has been made to ensure the accuracy of this drawing; however, Traxxas cannot be held responsible for typographical or other errors.