



TRX-4® Land Rover® Defender® (Model 82256-4) Parts List

Parts shown in bold are optional accessories. Part categories and individual part listings are arranged alphabetically.

Axle Components

8241	Axle housing, front
8242	Axle housing, intermediate (TRX-6™) or rear (TRX-4®)
8227	Axle mount set (complete) (front & rear) (for suspension links)
8228	Axle shaft, front (left)/ drive pin/ cross pin
8229	Axle shaft, front (right)/ drive pin/ cross pin
8060	Axle shaft, front, heavy duty (left & right) (requires #8064 front portal drive input gear)
8062	Axle shaft, front, heavy duty (left & right)/ portal drive input gear, front (machined) (2) (assembled)
8230	Axle shaft, rear (left)
8231	Axle shaft, rear (right)
8063	Axle shaft, rear, heavy duty (left & right) (requires #8065 rear portal drive input gear)
8061	Axle shaft, rear, heavy duty (left & right)/ portal drive input gear, rear (machined) (2) (assembled)
8233	Cross pin (2)/ drive pin (2) (to rebuild front axle shafts)
8256	Portal drive axle mount, rear (left & right)
8256X	Portal drive axle mount, rear, 6061-T6 aluminum (blue-anodized) (left and right)/ 2.5x16 CS (4)
8256A	Portal drive axle mount, rear, 6061-T6 aluminum (charcoal gray-anodized) (left and right)/ 2.5x16 CS (4)
8256R	Portal drive axle mount, rear, 6061-T6 aluminum (red-anodized) (left and right)/ 2.5x16 CS (4)
8252	Portal drive housing, inner, front (left & right)/ 2.5x4 BCS (6)
8253	Portal drive housing, inner, rear (left or right) (2)
8251	Portal drive housing, outer (front or rear) (2)
8064	Portal drive input gear, front (machined) (left or right) (requires #8060 front axle shaft)
8257	Portal drive input gear, front/ drive pin/ cross pin
8259	Portal drive input gear, rear
8065	Portal drive input gear, rear (machined) (left or right) (requires #8063 rear axle)
8258	Portal drive output gear, front or rear
8252X	Portal housings, inner (front), 6061-T6 aluminum (blue-anodized) (2)/ 3x12 BCS (2)
8252A	Portal housings, inner (front), 6061-T6 aluminum (charcoal gray-anodized) (2)/ 3x12 BCS (2)
8252G	Portal housings, inner (front), 6061-T6 aluminum (green-anodized) (2)/ 3x12 BCS (2)
8252R	Portal housings, inner (front), 6061-T6 aluminum (red-anodized) (2)/ 3x12 BCS (2)
8253A	Portal housings, inner (rear), 6061-T6 aluminum (charcoal gray-anodized) (2)/ 2.5x10 CS (2)
8251X	Portal housings, outer, 6061-T6 aluminum (blue-anodized) (2)/ 2.5x10 CS (12)
8251A	Portal housings, outer, 6061-T6 aluminum (charcoal gray-anodized) (2)/ 2.5x10 CS (12)
8251G	Portal housings, outer, 6061-T6 aluminum (green-anodized) (2)/ 2.5x10 CS (12)
8251R	Portal housings, outer, 6061-T6 aluminum (red-anodized) (2)/ 2.5x10 CS (12)
8255	Stub axle (portal drive) (2)
8255A	Stub axle, extended thread (portal drive) (2)
8267	Weight, portal housing, brass (2) (34 grams)/ 2.5x8 CS (6) (requires #8251X, 8251R, 8251A, or 8251G outer portal housing)

Bearings & Bushings

8214	Ball bearing kit, stainless steel, TRX-4® (complete)
8265	Ball bearing kit, TRX-4® (complete)
5119A	Ball bearings, black rubber sealed (10x15x4mm) (2)
5120A	Ball bearings, black rubber sealed (12x18x4mm) (2)
5102A	Ball bearings, black rubber sealed (15x21x4mm) (2)
5104A	Ball bearings, black rubber sealed (4x10x4mm) (2)
5115A	Ball bearings, black rubber sealed (5x10x4mm) (2)
5116A	Ball bearings, black rubber sealed (5x11x4mm) (2)
5114A	Ball bearings, black rubber sealed (5x8x2.5mm) (2)
5117A	Ball bearings, black rubber sealed (6x12x4mm) (2)
5180A	Ball bearings, black rubber sealed (6x13x5mm) (2)
5103A	Ball bearings, black rubber sealed (7x14x5mm) (2)

Body (Ford® Bronco)

9215	Body cage (fits #9211 body)
9211	Body, Ford Bronco (clear, requires painting)/ decals/ window masks (includes grille, side mirrors, door handles, fender flares, windshield wipers, spare tire mount, clipless mounting, hardware) (requires #8080X inner fenders)
9211X	Body, Ford Bronco, complete, Cyber Orange (painted) (includes grille, side mirrors, door handles, fender flares, windshield wipers, spare tire mount, & clipless mounting) (requires #8080X inner fenders)
9211G	Body, Ford Bronco, complete, Iconic Silver (painted) (includes grille, side mirrors, door handles, fender flares, windshield wipers, spare tire mount, & clipless mounting) (requires #8080X inner fenders)
9211L	Body, Ford Bronco, complete, Oxford White (painted) (includes grille, side mirrors, door handles, fender flares, windshield wipers, spare tire mount, & clipless mounting) (requires #8080X inner fenders)
9211R	Body, Ford Bronco, complete, Rapid Red (painted) (includes grille, side mirrors, door handles, fender flares, windshield wipers, spare tire mount, & clipless mounting) (requires #8080X inner fenders)
9211T	Body, Ford Bronco, complete, Shadow Black (painted) (includes grille, side mirrors, door handles, fender flares, windshield wipers, spare tire mount, & clipless mounting) (requires #8080X inner fenders)
9211A	Body, Ford Bronco, complete, Velocity Blue (painted) (includes grille, side mirrors, door handles, fender flares, windshield wipers, spare tire mount, & clipless mounting) (requires #8080X inner fenders)
6593	Distribution block, Pro Scale® Advanced Lighting Control System
9218	Door handles, left & right/ trail sights, left & right/ trail sight retainers (2)/ 2.6x8 BCS (4)/ 1.6x7 BCS (self-tapping) (4) (fits #9211 body)
9291	Front light harness, Ford Bronco (requires #6592 lighting power module and #6593 distribution block)
9220	Grille, Ford Bronco/ grille mount/ 2.6x8 BCS (6)/ 3x8 BCS (4) (fits #9211 body)
9222	Headlight assembly, complete (2)/ 2.6x8mm BCS (2) (fits #9211 body)
9216	Latch, body mount (2)/ 3x8 BCS (8)
8036R	LED light set (contains headlights, tail lights, side marker lights, and distribution block) (fits #8010 or 9230 series bodies, requires #8028 power supply)
6592	Power module, Pro Scale® Advanced Lighting Control System (includes mount, communication cables, hardware)
6591	Pro Scale® Advanced Lighting Control System (includes power module & distribution block)
9290	Pro Scale® LED light set, Ford Bronco, complete with power module (includes headlights, tail lights, & distribution block) (fits #9211 body)
9292	Rear light harness, Ford Bronco (requires #6592 lighting power module and #6593 distribution block)
6594	Receiver communication cable, Pro Scale® Advanced Lighting Control System
9217	Side mirrors, black (left & right)/ windshield wipers (2)/ cowl/ 2.5x8 BCS (3)/ 2.5x10 CS (2)/ 1.6x5 BCS (2) (fits #9211 body)
9219	Spare tire mount/ mounting bracket/ 3x8 BCS (3)/ 3x12 BCS (4) (fits #9211 body)
9221	Tail light assembly, complete (2)/ 3x8mm BCS (4) (fits #9211 body)

Body (Land Rover® Defender®)

8050	Body, Land Rover Defender, complete (clear, trimmed, requires painting) (includes grille, side mirrors, door handles, windshield wipers, ExoCage, spare tire mount, decals, window masks, clipless mounting, hardware)
8050-BLK	Body, Land Rover Defender, black (complete with ExoCage, fuel canisters, jack, spare tire mount & clipless mounting)
8050-BLUE	Body, Land Rover Defender, blue (complete with ExoCage, fuel canisters, jack, spare tire mount & clipless mounting)
8050-GRN	Body, Land Rover Defender, green (complete with ExoCage, fuel canisters, jack, spare tire mount & clipless mounting)
8050-RED	Body, Land Rover Defender, red (complete with ExoCage, fuel canisters, jack, spare tire mount & clipless mounting)

Page 2 TRX-4® Land Rover® Defender®: TQI™ Traxxas Link™ Enabled 2.4GHz Radio (Model 82256-4) Parts List

8050-SAND	Body, Land Rover Defender, sand (complete with ExoCage, fuel canisters, jack, spare tire mount & clipless mounting)
8050-SLVR	Body, Land Rover Defender, silver (complete with ExoCage, fuel canisters, jack, spare tire mount & clipless mounting)
8012	Decals, Land Rover Defender
6593	Distribution block, Pro Scale® Advanced Lighting Control System
8016	ExoCage (complete with assembly hardware; #8015 roof basket sold separately) (fits #8011 series bodies)
8017	Fender flares, front & rear (2 each) (fits #8011 or #8211 series bodies)
8092	Fender retainers (front & rear, left & right) (fits #8050 series bodies)
8013	Grille, Land Rover Defender/ grille mount (3)/ headlight housing (2)/ lens (2)/ headlight mount (2) (fits #8011 series bodies)
8051	Latch, body mounts (front & rear)
8027	LED headlight/tail light kit (fits #8011 series bodies, requires #8028 power supply)
8095	LED light set, complete with power supply (contains headlights, tail lights, roof light bar, rock lights & distribution block) (fits #8011 series bodies)
8025	LED lightbar (Rigid), TRX-4® (requires #8028 power supply)
8029	LED lightbar kit (Rigid)/power supply, TRX-4®
8028	LED lights, power supply (regulated, 3V, 0.5-amp)/ 3-in-1 wire harness
8020	Mirrors, side (left & right)/ snorkel/ mounting hardware (fits #8011 series bodies)
6592	Power module, Pro Scale® Advanced Lighting Control System (includes mount, communication cables, hardware)
6591	Pro Scale® Advanced Lighting Control System (includes power module & distribution block)
6594	Receiver communication cable, Pro Scale® Advanced Lighting Control System
8015	Roof basket (requires #8216 ExoCage) (fits #8011 series bodies)
8021	Spare tire mount/ mounting bracket/ screw pins (2)
8014	Tail light housing (2)/ lens (2)/ decals (left & right) (fits #8011 series bodies)

Body Accessories

1926	Antenna caps, vinyl (2)/ antenna spool
1726	Antenna, tube (1)/ vinyl antenna cap (1)/ wire retainer (1)
8215	Body mounts & posts, front & rear (complete set)
4915	Body washers, foam adhesive (10)
2514	Decal sheet, racing sponsors
8081	Fender extensions (4)/ 3x8 flathead screws (24) (requires #8080 narrow inner fenders)
8080R	Fenders, inner (narrow), front & rear (2 each)/ rock light covers (8)/ battery plate/ body mount/ 3x8 flat-head screws (4)/ 2.5x6 CS (10) (for clipless body mounting)
8022T	Fuel canisters (black) (2)/ screw pin
8022R	Fuel canisters (blue) (2)/ screw pin
8022-GRN	Fuel canisters (green) (2)/ screw pin
8022	Fuel canisters (red) (2)/ screw pin
8022X	Fuel canisters (white) (2)/ screw pin
8022A	Fuel canisters (yellow) (2)/ screw pin
9950	Official Team Traxxas® racing decal set(flag logo/ 6-color)

Bumpers & Skidplates

8234	Bumper D-Rings, grey (front or rear)/ 2.0x12 CS (4)
8234R	Bumper D-rings, red (front or rear)/ 2.0x12 CS (4)
8067	Bumper mounts, front & rear
8237	Bumper mounts, front & rear/ screw pins (4)
8235	Bumper, front/ winch/ 2.6x8 BCS (1)
8236	Bumper, rear
8068	Bumper, rear (chrome)/ bumper mount/ 3x10 BCS (2)
8066	Push bar, bumper (chrome) (fits #8069 bumper)
8238	Skidplate/ lower gear cover

Chassis & Attachments

8327-BLUE	Battery hold-down, 6061-T6 aluminum (blue-anodized)
8327-GRAY	Battery hold-down, 6061-T6 aluminum (gray-anodized)
8327-GRN	Battery hold-down, 6061-T6 aluminum (green-anodized)
8327-ORNG	Battery hold-down, 6061-T6 aluminum (orange-anodized)
8327-RED	Battery hold-down, 6061-T6 aluminum (red-anodized)
8327	Battery hold-down/ battery clip/ hold-down post/screw pin (for 256mm wheelbase)
8215	Body mounts & posts, front & rear (complete set)
8224	Box, receiver (sealed)/ wire cover/ foam pads/ silicone grease/ 3x8 BCS (5)/ 2.5x8 CS (2)
8058	Chassis conversion kit, TRX-4® (long to short wheelbase) (includes rear upper & lower suspension links, front & rear inner fenders, short female half shaft, battery tray, 3x8mm FCS (4))
8057	Chassis conversion kit, TRX-4® (short to long wheelbase) (includes rear upper & lower suspension links, front & rear shock towers, long female half shaft)

8220	Chassis rails, 448mm (steel) (left & right)
8080R	Fenders, inner (narrow), front & rear (2 each)/ rock light covers (8)/ battery plate/ body mount/ 3x8 flat-head screws (4)/ 2.5x6 CS (10) (for clipless body mounting)
8218	Floor pans, left & right
8224X	Receiver box cover (for use only with #8224 receiver box & #2260 BEC)/ foam pads/ seals/ silicone grease
8219	Rock sliders, left & right
8225	Seal kit, receiver box (includes o-ring, seals, and silicone grease)
8240X	Servo mount, 2-speed/ servo mount, T-Lock/ wire clips
8239	Servo mount, steering/ chassis crossmember
8226	Tray, battery

Differential Components

8281	Carrier, differential/ differential slider/ T-Lock fork
8280A	Differential cover, front or rear (black)
8280X	Differential cover, front or rear (chrome plated)
8280-GRN	Differential cover, front or rear (green)
8280	Differential cover, front or rear (grey)
8280R	Differential cover, front or rear (red)
8282	Gear set, differential (output gears (2), spider gears (4), spider gear shaft (2))
8295	Output drive, transmission or differential (pin retainer (1)/ drive cup (1)/ drive ball (1)/ drive pin (1)/ 3x10 screw pin (1)/ cross pin (black) (1) 3x6 BCS with threadlock (1))
8279	Ring gear, differential/ pinion gear, differential
8279R	Ring gear, differential pinion gear, differential (machined)
8287	Ring gear, differential/ pinion gear, differential (overdrive, machined)
8288	Ring gear, differential/ pinion gear, differential (underdrive, machined)
8297	Spool/ differential housing plug/ e-clip/ 2.5x8mm BCS (with threadlock) (4)

Driveline Components

8139	Half shafts, center (external splined) (2)/ pin retainer (4) (plastic parts only)
8250	Half shafts, center (internal splined, front (2) & internal splined, rear (2)/ external splined (2)/ pin retainer (4)) (plastic parts only)
8250X	Half shafts, center (internal splined, short (3) & internal splined, long (2))
8255	Stub axle (portal drive) (2)
8255A	Stub axle, extended thread (portal drive) (2)
8269	Wheel hubs, 12mm hex (2)/ stub axle pins (2) (steel)
8269X	Wheel hubs, 12mm hex, 6061-T6 aluminum (blue-anodized) (4)/ 3x10 screw pin (4)
8269A	Wheel hubs, 12mm hex, 6061-T6 aluminum (charcoal gray-anodized) (4)/ 3x10 screw pin (4)
8269G	Wheel hubs, 12mm hex, 6061-T6 aluminum (green-anodized) (4)/ 3x10 screw pin (4)
8269R	Wheel hubs, 12mm hex, 6061-T6 aluminum (red-anodized) (4)/ 3x10 screw pin (4)

Hardware

1552	3x8mm Hex Cap Screws (6)/ Washers (6)/ Wrench (1)
1834	Body Clips (12) (standard size)
1834A	Body clips, black (12) (standard size)
3934	Body clips, heavy duty (12)
3934A	Body clips, heavy duty (black) (12)
4859	CS 3x10 flathead (hex drive)
8167X	Hardware kit, stainless steel, beadlock rings (contains stainless steel hardware for 4 wheels)
8298	Hardware kit, stainless steel, TRX-4® (contains all stainless steel hardware used on TRX-4®)
8151	Hardware kit, stainless steel, TRX-4® High Lift Kit (contains all stainless steel hardware used on TRX-4® High Lift Kit)
8217	Hardware kit, TRX-4® (contains all hardware used on TRX-4®)
5476X	Hex wrenches; 1.5mm, 2mm, 2.5mm, 3mm, 2.5 ball
1747P	Nuts, 4mm flanged nylon locking (aluminum, pink anodized) (4)
3647	Nuts, 4mm flanged nylon locking (steel, serrated) (8)
8347	Nuts, 4mm flanged nylon locking, serrated (black) (10)
1747R	Nuts, aluminum, flanged, serrated (4mm) (blue-anodized) (4)
1747G	Nuts, aluminum, flanged, serrated (4mm) (green-anodized) (4)
1747T	Nuts, aluminum, flanged, serrated (4mm) (orange-anodized) (4)
1747A	Nuts, aluminum, flanged, serrated (4mm) (red-anodized) (4)
1985	PTFE-coated Washers, 5x8x0.5mm (20) (use with ball bearings)
8221	Screw pin, 3x10mm (6)
2523	Screws, 2.5x10 countersunk machine (hex drive) (6)
3229	Screws, 2.5x10mm cap-head machine (hex drive) (6)
3236	Screws, 2.5x12mm cap-head machine (6)
2618	Screws, 2.5x16mm cap-head machine (6)
3215	Screws, 2.5x6mm cap-head machine (hex drive) (6)
2524	Screws, 2.5x8 countersunk machine (hex drive) (6)

Page 3 TRX-4® Land Rover® Defender®: TQi™ Traxxas Link™ Enabled 2.4GHz Radio (Model 82256-4) Parts List

2617	Screws, 2.5x8mm button-head machine (hex drive) (6)	8156	Springs, shock, long (natural finish) (GTS) (0.54 rate, green stripe) (for use with TRX-4® Long Arm Lift Kit)
3965	Screws, 2.5x8mm cap-head machine (6)	8157	Springs, shock, long (natural finish) (GTS) (0.62 rate, blue stripe) (for use with TRX-4® Long Arm Lift Kit)
8299	Screws, 2.6x12mm button-head, self-tapping (hex drive) (6)	8146X	Steering link, 5x117mm (1)/ drag link, 5x60mm (1)/ panhard link, 5x63mm (blue powder coated steel) (assembled with hollow balls) (for use with #8140X TRX-4® Long Arm Lift Kit)
8167	Screws, 2x10mm cap-head, self-tapping (hex drive) (10)	8146R	Steering link, 5x117mm (1)/ drag link, 5x60mm (1)/ panhard link, 5x63mm (red powder coated steel) (assembled with hollow balls) (for use with #8140R TRX-4® Long Arm Lift Kit)
2564	Screws, 2x8mm cap-head machine (hex drive) (6)	8144X	Suspension link, front upper, 5x68mm (1) (blue powder coated steel) (assembled with hollow balls) (for use with #8140X TRX-4® Long Arm Lift Kit)
2577	Screws, 3x10mm button-head machine (hex drive) (6)	8144R	Suspension link, front upper, 5x68mm (1) (red powder coated steel) (assembled with hollow balls) (for use with #8140R TRX-4® Long Arm Lift Kit)
2578	Screws, 3x12mm button-head machine (hex drive) (6)	8144	Suspension link, front upper, 5x68mm (1) (steel) (assembled with hollow balls) (for use with #8140 TRX-4® Long Arm Lift Kit)
2579	Screws, 3x15mm button-head machine (hex drive) (6)	8143	Suspension links, front lower (2) (5x104mm, steel) (assembled with hollow balls) (for use with #8140 TRX-4® Long Arm Lift Kit)
2591	Screws, 3x23mm button-head machine (hex drive) (6)	8143R	Suspension links, front lower, red (2) (5x104mm, powder coated steel) (assembled with hollow balls) (for use with #8140R TRX-4® Long Arm Lift Kit)
2581	Screws, 3x25mm button-head machine (hex drive) (6)	8145	Suspension links, rear lower (2) (5x115mm, steel) (assembled with hollow balls) (for use with #8140 TRX-4® Long Arm Lift Kit)
2616	Screws, 3x27mm button-head machine (hex drive) (6)	8145X	Suspension links, rear lower, blue (2) (5x115mm, powder coated steel) (assembled with hollow balls) (for use with #8140X TRX-4® Long Arm Lift Kit)
2582	Screws, 3x30mm button-head machine (hex drive) (6)	8145R	Suspension links, rear lower, red (2) (5x115mm, powder coated steel) (assembled with hollow balls) (for use with #8140R TRX-4® Long Arm Lift Kit)
2575	Screws, 3x6mm button-head machine (hex drive) (6)	8142	Suspension links, rear upper (2) (5x115mm, steel) (assembled with hollow balls) (for use with #8140 TRX-4® Long Arm Lift Kit)
3932	Screws, 3x6mm flat-head machine (hex drive) (6)	8142R	Suspension links, rear upper, red (2) (5x115mm, powder coated steel) (assembled with hollow balls) (for use with #8140R TRX-4® Long Arm Lift Kit)
2576	Screws, 3x8mm button-head machine (hex drive) (6)	8172	Tires & wheels, assembled (Method Race Wheels® 105 Beadlock 2.2" black chrome beadlock wheels, Canyon Trail 5.3x2.2" tires, foam inserts) (1 left, 1 right)
3931	Screws, 3x8mm flat-head machine (hex drive) (6)	8181-BLUE	Tires & wheels, assembled, glued (TRX-4® Sport 2.2" gray, blue beadlock style wheels, Canyon Trail 5.3x2.2" tires) (2)
3933	Screws, 4x16mm button-head machine (hex drive) (6)	8181-GRN	Tires & wheels, assembled, glued (TRX-4® Sport 2.2" gray, green beadlock style wheels, Canyon Trail 5.3x2.2" tires) (2)

LED Light Accessories

8031	3-in-1 wire harness, LED light kit	8143	Suspension links, front lower (2) (5x104mm, steel) (assembled with hollow balls) (for use with #8140 TRX-4® Long Arm Lift Kit)
8089	4-in-2 wire harness, LED light kit	8143R	Suspension links, front lower, red (2) (5x104mm, powder coated steel) (assembled with hollow balls) (for use with #8140R TRX-4® Long Arm Lift Kit)
6589	Distribution block, LED light set	8145	Suspension links, rear lower (2) (5x115mm, steel) (assembled with hollow balls) (for use with #8140 TRX-4® Long Arm Lift Kit)
6593	Distribution block, Pro Scale® Advanced Lighting Control System	8145X	Suspension links, rear lower, blue (2) (5x115mm, powder coated steel) (assembled with hollow balls) (for use with #8140X TRX-4® Long Arm Lift Kit)
8027	LED headlight/tail light kit (fits #8011 series bodies, requires #8028 power supply)	8145R	Suspension links, rear lower, red (2) (5x115mm, powder coated steel) (assembled with hollow balls) (for use with #8140R TRX-4® Long Arm Lift Kit)
8095	LED light set, complete with power supply (contains headlights, tail lights, roof light bar, rock lights & distribution block) (fits #8011 series bodies)	8142	Suspension links, rear upper (2) (5x115mm, steel) (assembled with hollow balls) (for use with #8140 TRX-4® Long Arm Lift Kit)
8025	LED lightbar (Rigid), TRX-4® (requires #8028 power supply)	8142R	Suspension links, rear upper, red (2) (5x115mm, powder coated steel) (assembled with hollow balls) (for use with #8140R TRX-4® Long Arm Lift Kit)
8029	LED lightbar kit (Rigid)/power supply, TRX-4®	8172	Tires & wheels, assembled (Method Race Wheels® 105 Beadlock 2.2" black chrome beadlock wheels, Canyon Trail 5.3x2.2" tires, foam inserts) (1 left, 1 right)
8028	LED lights, power supply (regulated, 3V, 0.5-amp)/ 3-in-1 wire harness	8181-BLUE	Tires & wheels, assembled, glued (TRX-4® Sport 2.2" gray, blue beadlock style wheels, Canyon Trail 5.3x2.2" tires) (2)
8026X	LED rock light kit, TRX-4®/TRX-6™ (requires #8028 power supply and #8018, #8072, or #8080 inner fenders)	8181-GRN	Tires & wheels, assembled, glued (TRX-4® Sport 2.2" gray, green beadlock style wheels, Canyon Trail 5.3x2.2" tires) (2)
6597	Motor sense wire harness, Pro Scale® Advanced Lighting Control System	8181-RED	Tires & wheels, assembled, glued (TRX-4® Sport 2.2" gray, red beadlock style wheels, Canyon Trail 5.3x2.2" tires) (2)
6592	Power module, Pro Scale® Advanced Lighting Control System (includes mount, communication cables, hardware)	8181	Tires & wheels, assembled, glued (TRX-4® Sport 2.2" wheels, Canyon Trail 5.3x2.2" tires) (2)
6591	Pro Scale® Advanced Lighting Control System (includes power module & distribution block)	8170	Tires, Canyon Trail 5.3x2.2"/ foam inserts (2)
6594	Receiver communication cable, Pro Scale® Advanced Lighting Control System	8171	Wheels, 2.2", Method Race Wheels® 105 Beadlock (black chrome, beadlock) (beadlock rings sold separately)

Long Arm Lift Kit

8162R	Body, GTS shock, long (aluminum, red-anodized) (1) (for use with #8140R TRX-4® Long Arm Lift Kit)	8171A	Wheels, 2.2", Method Race Wheels® 105 Beadlock (charcoal gray, beadlock) (beadlock rings sold separately)
8162	Body, GTS shock, long (silver aluminum) (1) (for use with #8140 TRX-4® Long Arm Lift Kit)	8180	Wheels, TRX-4® Sport 2.2 (2)
8147	Cable, T-lock (medium) (for use with TRX-4® Long Arm Lift Kit)	8180-BLUE	Wheels, TRX-4® Sport 2.2 (gray, blue beadlock style) (2)
8148	Cable, T-lock, extra long (193mm) (for use with TRX-4® Long Arm Lift Kit)	8180-GRN	Wheels, TRX-4® Sport 2.2 (gray, green beadlock style) (2)
8150	Driveshaft extension kit, center (includes internal splined, x-long (2), internal splined, long (1) and internal splined, medium (1)) (for use with TRX-4® Long Arm Lift Kit)	8180-RED	Wheels, TRX-4® Sport 2.2 (gray, red beadlock style) (2)
8140	Long arm lift kit, TRX-4®, complete		
8140X	Long arm lift kit, TRX-4®, complete (includes blue powder coated links, blue-anodized shocks)		
8140-GRN	Long arm lift kit, TRX-4®, complete (includes green powder coated links, green-anodized shocks)		
8140R	Long arm lift kit, TRX-4®, complete (includes red powder coated links, red-anodized shocks)		
8149	Rod ends, extended (standard (4), angled (4))/ hollow balls (8) (for use with TRX-4® Long Arm Lift Kit)		
8141	Servo mount, steering (for use with TRX-4® Long Arm Lift Kit)		
8161	Shock shaft, 3x57mm (GTS) (2) (includes bump stops) (for use with TRX-4® Long Arm Lift Kit)		
8160X	Shocks, GTS, aluminum (blue-anodized) (assembled without springs) (4) (for use with #8140X TRX-4® Long Arm Lift Kit)		
8160-GRN	Shocks, GTS, aluminum (green-anodized) (assembled without springs) (4) (for use with #8140 TRX-4® Long Arm Lift Kit)		
8160R	Shocks, GTS, aluminum (red-anodized) (assembled without springs) (4) (for use with #8140R TRX-4® Long Arm Lift Kit)		
8160	Shocks, GTS, silver aluminum (assembled without springs) (4) (for use with #8140 TRX-4® Long Arm Lift Kit)		
8153	Springs, shock, long (natural finish) (GTS) (0.29 rate, white stripe) (for use with TRX-4® Long Arm Lift Kit)		
8154	Springs, shock, long (natural finish) (GTS) (0.39 rate, orange stripe) (for use with TRX-4® Long Arm Lift Kit)		
8155	Springs, shock, long (natural finish) (GTS) (0.47 rate) (included with TRX-4® Long Arm Lift Kit)		

Motors & Electronics

1926	Antenna caps, vinyl (2)/ antenna spool
1726	Antenna, tube (1)/ vinyl antenna cap (1)/ wire retainer (1)
2262	BEC, complete (12.6 volts (3s LiPo) maximum input voltage) (includes receiver box cover and seals)
2064A	Gear set (for 2065A waterproof sub-micro servo)
2064R	Gear set, metal (for 2065R waterproof sub-micro servo)
2072X	Gear set, metal (for 2070, 2075 servos)
2252	Gear set, metal (for 2250, 2255 servos)
2272	Gear set, metal (for 2270 waterproof servo)
2287	Gear set, metal (for 2280 servo)
2072R	Gear set, metal, high-speed (for 2070, 2075 servos)
8290X	Motor mount plate, 6061-T6 aluminum (blue-anodized)
8290A	Motor mount plate, 6061-T6 aluminum (charcoal gray-anodized)
8290G	Motor mount plate, 6061-T6 aluminum (green-anodized)
8290R	Motor mount plate, 6061-T6 aluminum (red-anodized)
3975R	Motor, Titan 550, reverse rotation (21-turns/ 14 volts) (1)
8290	Plate, motor/ upper spur gear cover
2254	Servo case, aluminum (middle) (blue-anodized) (for 2250 servo)
2253	Servo case, aluminum (middle) (red-anodized) (for 2255 servo)
2251	Servo case, plastic (top, middle, bottom)/ gaskets/ hardware (for 2250, 2255 servos)
2271	Servo case/ gaskets (for 2270 waterproof servo)
2063A	Servo case/gaskets (for 2065A waterproof sub-micro servo)

Page 4 TRX-4® Land Rover® Defender®: TQi™ Traxxas Link™ Enabled 2.4GHz Radio (Model 82256-4) Parts List

2063R	Servo case/gaskets (for 2065R metal gear, waterproof, sub-micro servo)	2991	Battery/charger completer pack (includes #2972 Dual iD charger (1), #2869X 7600mAh 7.4V 2-cell 25C LiPo iD® Battery (2))
2063X	Servo case/gaskets (for 2065X metal gear, waterproof, sub-micro servo)	2985-2S	Battery/charger completer pack (includes #2985 charger (1), #2827X 3000mAh 7.4V 2-cell 20C LiPo iD® Battery (1))
5669	Servo horn (with built-in spring and hardware) (for Summit locking differential)	2262	BEC, complete (12.6 volts (3s LiPo) maximum input voltage) (includes receiver box cover and seals)
2075R	Servo, digital high-speed, metal gear (ball bearing), waterproof	2975	Charger, D/C, 4 amp (6 - 7 cell, 7.2 - 8.4 volt, NiMH)
2250	Servo, digital high-torque 330 coreless, metal gear (ball bearing), waterproof (#2262 external BEC and #8247X metal servo horn recommended for optimal performance)	2972	Charger, EZ-Peak Dual, 100W, NiMH/LiPo with iD Auto Battery Identification
2255	Servo, digital high-torque 400 brushless, metal gear (ball bearing), waterproof (#2262 external BEC and #8247X metal servo horn recommended for optimal performance)	2973	Charger, EZ-Peak Live Dual, 200W, NiMH/LiPo with iD Auto Battery Identification
2280	Servo, digital high-torque 600 brushless, metal gear (ball bearing), waterproof	2970	Charger, EZ-Peak Plus, 4 amp, NiMH/LiPo with iD Auto Battery Identification
2075X	Servo, digital high-torque, metal gear (ball bearing), waterproof	2981	Charger, EZ-Peak® Plus 4s, 8 amp, NiMH/LiPo with iD® Auto Battery Identification
2270	Servo, digital high-torque, metal gear (ball bearing), waterproof	2985	Charger, EZ-Peak®, USB-C, 40W, NiMH/LiPo with iD® Auto Battery Identification
2065A	Servo, sub-micro, waterproof	6525	Communication link, telemetry expander
2065R	Servo, sub-micro, waterproof, metal gear	6512	Cover plate, Traxxas® Link Bluetooth® module
3025	XL-5HV 3s Electronic Speed Control, waterproof (low-voltage detection, fwd/rev/brake)	6565	Data link, telemetry expander (connects #6550X telemetry expander 2.0 to the #6590 high-voltage power amplifier)
2261	Y-harness, BEC	2971	EZ-Peak Live 12-amp NiMH/LiPo Fast Charger with iD® Auto Battery Identification and Bluetooth®

Pro Scale® Winch & Accessories

8865	Bumper, front, winch, narrow (includes bumper mount, D-Rings, fairlead, hardware) (fits TRX-4® Land Rover® Defender® and Tactical Unit with 8855 winch) (200mm wide)	2978	Fuse, D/C charger, 5A (2) (for #2974, 2975, 2977)
8859	Fairlead, winch	2064A	Gear set (for 2065A waterproof sub-micro servo)
8870X	Fairlead, winch, aluminum (blue-anodized) (use with front bumpers #8865, 8866, 8867, 8869, or 9224)	2064R	Gear set, metal (for 2065R waterproof sub-micro servo)
8870A	Fairlead, winch, aluminum (gray-anodized) (use with front bumpers #8865, 8866, 8867, 8869, or 9224)	2072X	Gear set, metal (for 2070, 2075 servos)
8870G	Fairlead, winch, aluminum (green-anodized) (use with front bumpers #8865, 8866, 8867, 8869, or 9224)	2252	Gear set, metal (for 2250, 2255 servos)
8870T	Fairlead, winch, aluminum (orange-anodized) (use with front bumpers #8865, 8866, 8867, 8869, or 9224)	2272	Gear set, metal (for 2270 waterproof servo)
8870R	Fairlead, winch, aluminum (red-anodized) (use with front bumpers #8865, 8866, 8867, 8869, or 9224)	2072R	Gear set, metal, high-speed (for 2070, 2075 servos)
8862	Gearmotor, winch	2968X	LiPo cell voltage checker/balancer (includes #2938X adapter for Traxxas® iD® batteries)
8863	Hook, winch (steel)/ line retainer/ washer	2968	LiPo cell voltage checker/balancer (requires #2938X adapter for Traxxas® iD® batteries)
8858	Housings (front & rear), winch/ decal	6561	Mount, telemetry expander
8864X	Line, winch (blue)	6535	Mount, temperature sensor (electric motors)/ wire tie/ thermal pad
8864	Line, winch (gray)	6533	Receiver, micro, TQi 2.4GHz with telemetry & TSM® (5-channel)
8864R	Line, winch (red)	6552	Seal kit, expander box (includes o-ring, seals, and silicone grease)
8860	Spool shaft assembly, winch	6526	Sensor, auto-detectable, temperature
8861	Spool, winch	6527	Sensor, auto-detectable, voltage
8855	Winch kit with wireless controller, TRX-4® and TRX-6®	6521	Sensor, temperature and voltage (long)
8856	Winch, TRX-4® and TRX-6® (requires #8857 wireless remote)	2254	Servo case, aluminum (middle) (blue-anodized) (for 2250 servo)
8857	Wireless remote, winch, TRX-4® and TRX-6®	2253	Servo case, aluminum (middle) (red-anodized) (for 2255 servo)
		2251	Servo case, plastic (top, middle, bottom)/ gaskets/ hardware (for 2250, 2255 servos)
		2271	Servo case/ gaskets (for 2270 waterproof servo)
		2063A	Servo case/gaskets (for 2065A waterproof sub-micro servo)
		2063R	Servo case/gaskets (for 2065R metal gear, waterproof, sub-micro servo)

Radio System, Batteries & Chargers

2823X	1400mah 11.1v 3-Cell 25C LiPo Battery	2063X	Servo case/gaskets (for 2065X metal gear, waterproof, sub-micro servo)
2820X	2200mah 7.4v 2-Cell 25C LiPo Battery	2075R	Servo, digital high-speed, metal gear (ball bearing), waterproof
2827X	3000mah 7.4v 2-Cell LiPo Battery	2250	Servo, digital high-torque 330 coreless, metal gear (ball bearing), waterproof (#2262 external BEC and #8247X metal servo horn recommended for optimal performance)
2923X	3000mAh 7.4V 2-cell flat NiMH Battery, Power Cell	2255	Servo, digital high-torque 400 brushless, metal gear (ball bearing), waterproof (#2262 external BEC and #8247X metal servo horn recommended for optimal performance)
2940X	3300mAh 8.4V 7-cell flat NiMH Battery, Series 3 Power Cell	2075X	Servo, digital high-torque, metal gear (ball bearing), waterproof
2849X	4000mah 11.1v 3-Cell 25C LiPo Battery	2270	Servo, digital high-torque, metal gear (ball bearing), waterproof
2950X	4200mAh 8.4V 7-cell flat NiMH Battery, Series 4 Power Cell	2065A	Servo, sub-micro, waterproof
2872X	5000mah 11.1v 3-Cell 25C LiPo Battery	2065R	Servo, sub-micro, waterproof, metal gear
2842X	5000mah 7.4v 2-Cell 25C LiPo Battery	6553X	Telemetry Expander 2.0 and GPS module 2.0, TQi radio system
2960X	5000mAh 8.4V 4-cell flat NiMH Battery, Series 5 Power Cell	6550X	Telemetry expander 2.0, TQi radio system (for use only with #6551X GPS module)
2844R	5200mAh 7.4v 2-cell 35C LiPo Battery	6551X	Telemetry GPS module 2.0, TQi radio system (for use only with #6550X telemetry expander)
2843X	5800mah 7.4v 2-Cell 25C LiPo Battery	6509R	TQi 2.4 GHz High Output radio system, 2-channel, Traxxas® Link enabled, TSM® (2-ch transmitter, 5-ch micro receiver)
2869X	7600mah 7.4v 2-Cell 25C LiPo Battery	6507R	TQi 2.4 GHz High Output radio system, 4-channel with Traxxas® Link Bluetooth® module, TSM® (4-ch transmitter, 5-ch micro receiver)
2976	AC to DC adapter	6530	Transmitter, TQi Traxxas® Link enabled, 2.4GHz high output, 4-channel (transmitter only)
2938X	Adapter, Traxxas® iD® LiPo battery (adapts Traxxas® iD® batteries to separate balance ports)	6511	Traxxas® Link Bluetooth® module
1726	Antenna, tube (1)/ vinyl antenna cap (1)/ wire retainer (1)	2261	Y-harness, BEC
2943	Battery charge indicators, green (4), grey (4), blue (4)		
6548	Battery door, TQ 2.4 transmitter (replacement for #6516, 6517 transmitter)		
8222	Battery strap (for use with 2200mAh 2-cell and 1400mAh 3-cell LiPo batteries)		
2914	Battery, Power Cell AA Alkaline (4)		
2983	Battery/charger completer pack (includes #2969 2-amp NiMH peak detecting AC charger (1), #2923X 3000mAh 8.4V 7-cell NiMH iD® battery (1))		
2992	Battery/charger completer pack (includes #2970 iD® charger (1), #2843X 5800mAh 7.4V 2-cell 25C LiPo iD® battery (1))		
2994	Battery/charger completer pack (includes #2970 iD® charger (1), #2849X 4000mAh 11.1v 3-Cell 25C LiPo iD® battery (1))		
2970-3S	Battery/charger completer pack (includes #2970 iD® charger (1), #2872X 5000mAh 11.1V 3-cell 25C LiPo iD® battery (1))		

Ready-To-Race Model

82256-4	TRX-4® Scale and Trail® Crawler with Land Rover® Defender® Body: 4WD Electric Trail Truck with TQi™ Traxxas Link™ Enabled 2.4GHz Radio System
---------	---

Scale Details

8022T	Fuel canisters (black) (2)/ screw pin
8022R	Fuel canisters (blue) (2)/ screw pin
8022-GRN	Fuel canisters (green) (2)/ screw pin
8022	Fuel canisters (red) (2)/ screw pin
8022X	Fuel canisters (white) (2)/ screw pin
8022A	Fuel canisters (yellow) (2)/ screw pin
8023	Jack (1)/ 2x8 BCS (1)
8023T	Jack (black) (1)/ 2x8 BCS (1)

Shock Oil

5031	Oil, shock (20 wt, 200 cSt, 60cc) (silicone)
5032	Oil, shock (30 wt, 350 cSt, 60cc) (silicone)
5033	Oil, shock (40 wt, 500 cSt, 60cc) (silicone)
5034	Oil, shock (50 wt, 600 cSt, 60cc) (silicone)
5035	Oil, shock (60 wt, 700 cSt, 60cc) (silicone)
5036	Oil, shock (70 wt, 900 cSt, 60cc) (silicone)
5037	Oil, shock (80 wt, 1,000 cSt, 60cc) (silicone)
5029	Shock oil bottle (60cc) (for mixing shock oil)
5038X	Shock oil set (includes 20 wt, 30 wt, 40 wt, 50 wt, 60 wt, 70 wt, & 80 wt premium shock oils with spinning carousel rack)
5038	Spinning carousel rack

Shocks (GTS)

8266	Body, GTS shock (aluminum, silver-anodized) (1)
8266X	Body, GTS shock (hard-anodized, PTFE-coated aluminum) (1)
8264	Caps & spring retainers, GTS shocks (upper cap (2)/ hollow balls (4)/ bottom cap (2)/ upper retainer (2)/ lower retainer (2))
8274	Hollow ball set, complete, TRX-4® (aluminum, PTFE-coated)
5475	Multi-tool (plastic)
8261	Piston, damper (red) (4)/ e-clips (8)
8262	Rebuild kit, TRX-4® shocks (x-rings, o-rings, pistons, bushings, e clips, rod ends, and travel limiters)
8263	Shock shaft, 3x47mm (GTS) (2)
8263T	Shock shaft, 3x47mm (GTS) (titanium nitride-coated) (2)
8260X	Shocks, GTS hard-anodized, PTFE-coated aluminum bodies with TiN shafts (assembled with spring retainers) (2)
8260A	Shocks, GTS, blue-anodized (assembled with spring retainers) (2)
8260G	Shocks, GTS, green-anodized (assembled with spring retainers) (2)
8260R	Shocks, GTS, red-anodized (assembled with spring retainers) (2)
8260	Shocks, GTS, silver aluminum (assembled with spring retainers) (2)

Slipper Clutch Components

8292	Input shaft/ output shaft (transmission)
8286	Output shafts (transfer case), front & rear
8254	Rebuild kit, slipper clutch (steel disc (2)/ friction insert (2)/ 4.0mm NL (1)/ spring washers (2))
8249	Slipper eliminator plate

Springs

8041	Springs, shock (GTS) (front) (0.45 rate) (2)
8040	Springs, shock (GTS) (rear) (0.54 rate) (2)
8042	Springs, shock (natural finish) (GTS) (0.22 rate, yellow stripe) (2)
8043	Springs, shock (natural finish) (GTS) (0.30 rate, white stripe) (2)
8044	Springs, shock (natural finish) (GTS) (0.39 rate, orange stripe) (2)
8045	Springs, shock (natural finish) (GTS) (0.61 rate, blue stripe) (2)

Spur Gears & Pinion Gears

6746	Gear, 10-T pinion (32-p) (steel) (fits 3mm shaft)/ set screw
6747	Gear, 11-T pinion (32-p) (steel) (fits 3mm shaft)/ set screw
3942X	Gear, 12-T pinion (32-p), heavy duty (machined, hardened steel) (fits 3mm shaft)/ set screw
3943X	Gear, 13-T pinion (32-p), heavy duty (machined, hardened steel) (fits 3mm shaft)/ set screw
3944X	Gear, 14-T pinion (32-p), heavy duty (machined, hardened steel) (fits 3mm shaft)/ set screw
3945X	Gear, 15-T pinion (32-p), heavy duty (machined, hardened steel) (fits 3mm shaft)/ set screw
3946X	Gear, 16-T pinion (32-p), heavy duty (machined, hardened steel) (fits 3mm shaft)/ set screw
3947X	Gear, 17-T pinion (32-p), heavy duty (machined, hardened steel) (fits 3mm shaft)/ set screw
3948X	Gear, 18-T pinion (32-p), heavy duty (machined, hardened steel) (fits 3mm shaft)/ set screw
3950X	Gear, 20-T pinion (32-p), heavy duty (machined, hardened steel) (fits 3mm shaft)/ set screw
3951X	Gear, 21-T pinion (32-p), heavy duty (machined, hardened steel) (fits 3mm shaft)/ set screw
3952X	Gear, 22-T pinion (32-p), heavy duty (machined, hardened steel) (fits 3mm shaft)/ set screw
6745	Gear, 9-T pinion (32-p) (steel) (fits 3mm shaft)/ set screw

8279	Ring gear, differential/ pinion gear, differential
8052	Spur gear, 39-tooth (32-pitch)
8053	Spur gear, 45-tooth (32-pitch)

Steering Components

8232	Caster blocks (portal drive), left & right
8232X	Caster blocks, 6061-T6 aluminum (blue-anodized), left and right
8232A	Caster blocks, 6061-T6 aluminum (charcoal gray-anodized), left and right
8232G	Caster blocks, 6061-T6 aluminum (green-anodized), left and right
8232R	Caster blocks, 6061-T6 aluminum (red-anodized), left and right
2072X	Gear set, metal (for 2070, 2075 servos)
2072R	Gear set, metal, high-speed (for 2070, 2075 servos)
8274	Hollow ball set, complete, TRX-4® (aluminum, PTFE-coated)
5355	Hollow ball, tall centered (2)/ tall offset hollow ball (2)/ bump steer adjustment shims; 3.5mm (2), 1.17mm (2)
8275	Rod end set, complete (standard (10), angled 10-degrees (8), offset (4))
8276	Rod ends (10)
8277	Rod ends, angled 10-degrees (8)
2742	Rod ends, long (6)/ hollow ball connectors (6)
8278	Rod ends, offset (4)
8247X	Servo horn, steering, metal/ 3x14 BCS (1)
2075R	Servo, digital high-speed, metal gear (ball bearing), waterproof
2250	Servo, digital high-torque 330 coreless, metal gear (ball bearing), waterproof
2255	Servo, digital high-torque 400 brushless, metal gear (ball bearing), waterproof
2075X	Servo, digital high-torque, metal gear (ball bearing), waterproof
5529	Shim set, 3x7x1mm (2), 3x6x0.5mm (4), 3x7x2mm (2)/ hollow balls, captured (4)
8246	Steering link, 5x60mm (1)/ draglink, 5x117mm (1) (steel)
8243	Suspension link, front, 5x100mm (lower) (steel) (2)
8244	Suspension link, front, 5x63mm (upper) (steel) (2)
8245	Suspension link, rear, 5x121mm (upper or lower) (steel) (2)

Suspension Linkage

8274	Hollow ball set, complete, TRX-4® (aluminum, PTFE-coated)
5355	Hollow ball, tall centered (2)/ tall offset hollow ball (2)/ bump steer adjustment shims; 3.5mm (2), 1.17mm (2)
8275	Rod end set, complete (standard (10), angled 10-degrees (8), offset (4))
8276	Rod ends (10)
8277	Rod ends, angled 10-degrees (8)
2742	Rod ends, long (6)/ hollow ball connectors (6)
8278	Rod ends, offset (4)
5529	Shim set, 3x7x1mm (2), 3x6x0.5mm (4), 3x7x2mm (2)/ hollow balls, captured (4)
8243	Suspension link, front, 5x100mm (lower) (steel) (2)
8244	Suspension link, front, 5x63mm (upper) (steel) (2)
8248	Suspension link, rear, 5x109mm (upper or lower) (steel) (2)
8245	Suspension link, rear, 5x121mm (upper or lower) (steel) (2)

Team Traxxas Items

9916	Backpack, RC car carrier, 12" x 12" x 24" (fits TRX-4 & similar)
2514	Decal sheet, racing sponsors
9917	Duffel bag, medium, 30" x 12" x 12" (fits 1/10 Slash®, TRX-4®, & similar)
9950	Official Team Traxxas® racing decal set(flag logo/ 6-color)
9909	Traxxas® racing banner, red & black (3x7 feet)

Tires & Wheels

8169T	Beadlock rings, black (1.9") (aluminum) (4)/ 2x10 CS (48)
8168T	Beadlock rings, black (2.2") (aluminum) (4)/ 2x10 CS (48)
8169X	Beadlock rings, blue (1.9") (aluminum) (4)/ 2x10 CS (48)
8168X	Beadlock rings, blue (2.2") (aluminum) (4)/ 2x10 CS (48)
8168G	Beadlock rings, green (2.2") (aluminum) (4)/ 2x10 CS (48)
8169R	Beadlock rings, red (1.9") (aluminum) (4)/ 2x10 CS (48)
8168R	Beadlock rings, red (2.2") (aluminum) (4)/ 2x10 CS (48)
8169	Beadlock rings, satin (1.9") (aluminum) (4)/ 2x10 CS (48)
8168	Beadlock rings, satin (2.2") (aluminum)(4)/ 2x10 CS (48)
8176	Center caps, wheel (chrome) (4)/ decal sheet (requires #8255A extended thread stub axle)
1747P	Nuts, 4mm flanged nylon locking (aluminum, pink anodized) (4)
1747R	Nuts, aluminum, flanged, serrated (4mm) (blue-anodized) (4)
1747G	Nuts, aluminum, flanged, serrated (4mm) (green-anodized) (4)
1747T	Nuts, aluminum, flanged, serrated (4mm) (orange-anodized) (4)
1747A	Nuts, aluminum, flanged, serrated (4mm) (red-anodized) (4)
8174	Tires & wheels, assembled (Method Race Wheels® 105 Beadlock 1.9" black chrome beadlock wheels, Canyon Trail 4.6x1.9" tires, foam inserts) (1 left, 1 right)

Page 6 TRX-4® Land Rover® Defender®: TQI™ Traxxas Link™ Enabled 2.4GHz Radio (Model 82256-4) Parts List

8182	Tires & wheels, assembled (Method Race Wheels® 105 Beadlock 1.9" satin black chrome, blue beadlock style wheels, Canyon Trail 4.6x1.9" tires, foam inserts) (1 left, 1 right)
8177	Tires & wheels, assembled, glued (1.9" chrome wheels, Canyon Trail 4.6x1.9" tires) (2)/ center caps (2)/ decal sheet (requires #8255A extended thread stub axle)
8166	Tires & wheels, assembled, glued (1.9" chrome wheels, Canyon Trail 4.6x1.9" tires) (2)/ center caps (2)/ decal sheet (requires #8255A extended thread stub axle)
8166X	Tires & wheels, assembled, glued (1.9" chrome wheels, Canyon Trail 4.6x1.9" tires) (4)/ center caps (4)/ decal sheet (requires #8255A extended thread stub axle)
8183X	Tires & wheels, assembled, glued (1.9" classic chrome wheels, Canyon Trail 4.6x1.9" tires) (4)/ center caps (4)/ decal sheet (requires #8255A extended thread stub axle)
8273	Tires & wheels, assembled, glued (Tactical 1.9" wheels, Canyon Trail 4.6x1.9" tires) (2)
8272X	Tires & wheels, assembled, glued (TRX-4® 1.9" satin beadlock wheels, Canyon Trail 4.6x1.9" tires) (2)
8272	Tires & wheels, assembled, glued (TRX-4® 1.9" wheels, Canyon Trail 4.6x1.9" tires) (2)
8181-BLUE	Tires & wheels, assembled, glued (TRX-4® Sport 2.2" gray, blue beadlock style wheels, Canyon Trail 5.3x2.2" tires) (2)
8181-GRN	Tires & wheels, assembled, glued (TRX-4® Sport 2.2" gray, green beadlock style wheels, Canyon Trail 5.3x2.2" tires) (2)
8181-RED	Tires & wheels, assembled, glued (TRX-4® Sport 2.2" gray, red beadlock style wheels, Canyon Trail 5.3x2.2" tires) (2)
8172	Tires and wheels, assembled (Method 105 2.2™ black chrome beadlock wheels, Canyon Trail 5.3x2.2™ tires, foam inserts) (1 left, 1 right) (for use with TRX-4 Long Arm Lift Kit)
8181	Tires and wheels, assembled, glued (TRX-4® Sport 2.2™ wheels, Canyon Trail 5.3x2.2™ tires) (2) (for use with TRX-4 Long Arm Lift Kit)
8270	Tires, Canyon Trail 4.6x1.9" (S1 compound)/ foam inserts (2)
8170	Tires, Canyon Trail 5.3x2.2™/ foam inserts (2) (for use with TRX-4 Long-Arm Lift Kit)
8269	Wheel hubs, 12mm hex (2)/ stub axle pins (2) (steel)
8269X	Wheel hubs, 12mm hex, 6061-T6 aluminum (blue-anodized) (4)/ 3x10 screw pin (4)
8269A	Wheel hubs, 12mm hex, 6061-T6 aluminum (charcoal gray-anodized) (4)/ 3x10 screw pin (4)
8269G	Wheel hubs, 12mm hex, 6061-T6 aluminum (green-anodized) (4)/ 3x10 screw pin (4)
8269R	Wheel hubs, 12mm hex, 6061-T6 aluminum (red-anodized) (4)/ 3x10 screw pin (4)
8175	Wheels, 1.9", chrome (2)/ center caps (2)/ decal sheet (requires #8255A extended thread stub axle)
8173	Wheels, 1.9", Method Race Wheels® 105 Beadlock (black chrome, beadlock) (beadlock rings sold separately)
8173A	Wheels, 1.9", Method Race Wheels® 105 Beadlock (charcoal gray, beadlock) (beadlock rings sold separately)
8171	Wheels, Method 105 2.2" (black chrome, beadlock) (beadlock rings sold separately) (for use with TRX-4 Long Arm Lift Kit)
8171A	Wheels, Method 105 2.2" (charcoal gray, beadlock) (beadlock rings sold separately) (for use with TRX-4 Long Arm Lift Kit)
8271	Wheels, TRX-4® 1.9 (2)
8271X	Wheels, TRX-4® 1.9 (satin beadlock) (2)
8180	Wheels, TRX-4® Sport 2.2 (2)
8180-BLUE	Wheels, TRX-4® Sport 2.2 (gray, blue beadlock style) (2)
8180-GRN	Wheels, TRX-4® Sport 2.2 (gray, green beadlock style) (2)
8180-RED	Wheels, TRX-4® Sport 2.2 (gray, red beadlock style) (2)
8268	Wheels, TRX-4® Tactical 1.9 (2)

Transmission Components

8283	Cable, T-lock (front)
8284	Cable, T-lock (rear)
8289	Drive hub, 2-speed/ shift dog/ shift fork/ 2-speed linkage
8293X	Gear set, transmission, metal (includes 18T, 30T input gears, 36T output gear, 2x9.8 pins (5))
8291	Gearbox housing (includes main housing, front housing, & cover)
8285	Gears, transfer case (3)
5041	Grease, premium high performance (20cc)
8292	Input shaft/ output shaft (transmission)
8290X	Motor mount plate, 6061-T6 aluminum (blue-anodized)
8290A	Motor mount plate, 6061-T6 aluminum (charcoal gray-anodized)
8290G	Motor mount plate, 6061-T6 aluminum (green-anodized)
8290R	Motor mount plate, 6061-T6 aluminum (red-anodized)
8295	Output drive, transmission or differential (pin retainer (1)/ drive cup (1)/ drive ball (1)/ drive pin (1)/ 3x10 screw pin (1)/ cross pin (black) (1) 3x6 BCS with threadlock (1))
8294	Output gear, high range, 24T (metal)
8286	Output shafts (transfer case), front & rear

8290	Plate, motor/ upper spur gear cover
8249	Slipper eliminator plate
8296	Transmission gears, single speed, metal

Traxxas Tools

3433X	Body reamer (aluminum handle)
3433	Body reamer (plastic handle)
3436	Cap, body reamer
3432	Scissors, curved tip
3431	Scissors, straight tip
8712	Speed Bit Essentials Set, hex and nut driver, 7-piece, includes premium handle (medium), travel pouch, hex drivers (straight: 1.5mm, 2.0mm, 2.5mm) and nut drivers (5.0mm, 5.5mm, 7.0mm, and 8.0mm), 1/4" drive
8720	Speed bit handle, large (overmolded)
8721	Speed bit handle, medium (one piece)
8722	Speed bit handle, premium (rubber overmold)
8710	Speed Bit Master Set, hex and nut driver, 13-piece, includes premium handle (medium), travel pouch, hex drivers (straight: 1.5mm, 2.0mm, 2.5mm, 3.0mm), (ball-end: 2.0mm, 2.5mm, 3.0mm), and nut drivers (4.0mm, 4.5mm, 5.0mm, 5.5mm, 7.0mm, 8.0mm), 1/4" drive
8711	Speed Bit Master Set, hex driver, 7-piece straight and ball end, includes premium handle (medium), travel pouch, hex drivers (straight: 1.5mm, 2.0mm, 2.5mm, 3.0mm) (ball end: 2.0mm, 2.5mm, 3.0mm), 1/4" drive
8719	Speed Bit Master Set, nut driver, 6-piece, includes premium handle (medium), travel pouch, and nut drivers (4.0mm, 4.5mm, 5.0mm, 5.5mm, 7.0mm, 8.0mm), 1/4" drive
8716	Speed Bit Set, hex driver, 2-piece ball-end (2.0mm, 2.5mm), 1/4" drive
8716X	Speed Bit Set, hex driver, 3-piece ball-end (2.0mm, 2.5mm, 3.0mm) 1/4" drive
8715	Speed Bit Set, hex driver, 3-piece straight (1.5mm, 2.0mm, 2.5mm), 1/4" drive
8715X	Speed Bit Set, hex driver, 4-piece straight (1.5mm, 2.0mm, 2.5mm, 3.0mm), 1/4" drive
8714	Speed Bit Set, screwdriver, 3-piece straight (3mm slotted, #1 Phillips, and #2 Phillips bits), 1/4" drive
2748R	Tool set (includes 1.5mm hex wrench / 2.0mm hex wrench / 2.5mm hex wrench/ 4-way wrench/ 8mm & 4mm wrench/ U-joint wrench)
3415	Tool set with pouch (includes 1.5mm, 2.0mm, 2.5mm, 3.0mm, 3.5mm, 4mm drivers/4mm, 5mm, 5.5mm, 7mm, and 8mm nut drivers/ 2mm, 3mm, and 4mm slotted screwdrivers/ #00 Phillips, #0 Phillips, and #1 Phillips screwdrivers/ 4mm and 8mm wrenches/ driver handle)

TRX-4® Traxxas®

8889	Bearing retainers, inner (2)/ outer (2)
8890	Drive wheel (1)
8885	Shock mounts (frame, left (2), frame, right (2))/ portal mounts (1 each, front (left & right), rear (left & right))
8888	Spring (4)
8887	Stub axle (1)
8886	Stub axle nut (4)
8891	Tension wheels (6)/ road wheels (4)
8881	Traxxas®, front, left (assembled) (requires #8887 stub axle, #7061 GTR shock, & #8895 rubber track)
8882	Traxxas®, front, right (assembled) (requires #8887 stub axle, #7061 GTR shock, & #8895 rubber track)
8883	Traxxas®, rear, left (assembled) (requires #8887 stub axle, #7061 GTR shock, & #8896 rubber track)
8884	Traxxas®, rear, right (assembled) (requires #8887 stub axle, #7061 GTR shock, & #8896 rubber track)
8880	Traxxas®, TRX-4® (4) (complete set, front & rear)

If you have questions or need technical assistance, call Traxxas at:

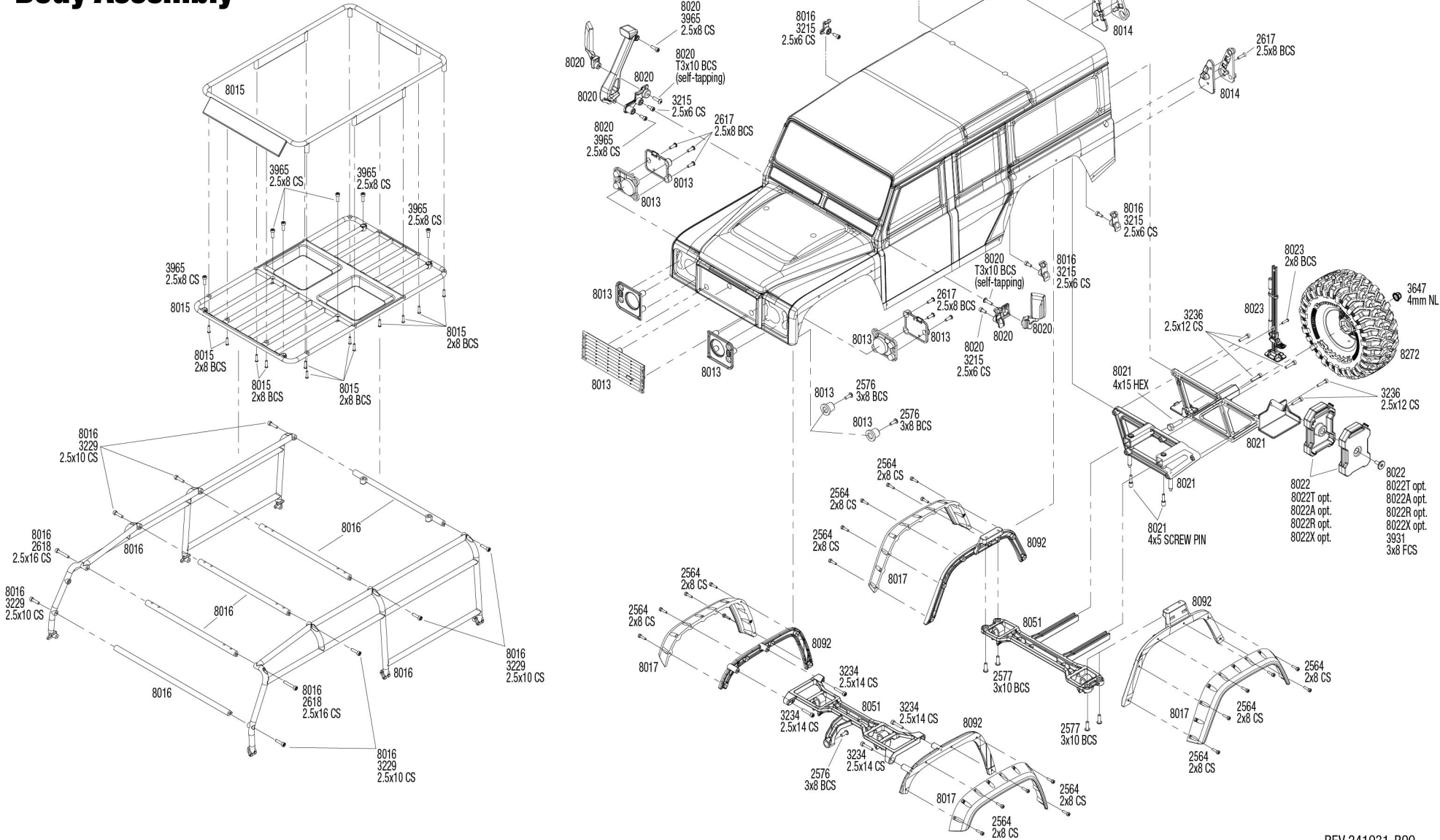
1-888-TRAXXAS

(1-888-872-9927) (U.S. residents only)

For orders, calls outside the U.S., and other information, call 972-549-3000, or fax to 972-549-3011 e-mail Traxxas at support@Traxxas.com

TRAXXAS.COM

Body Assembly

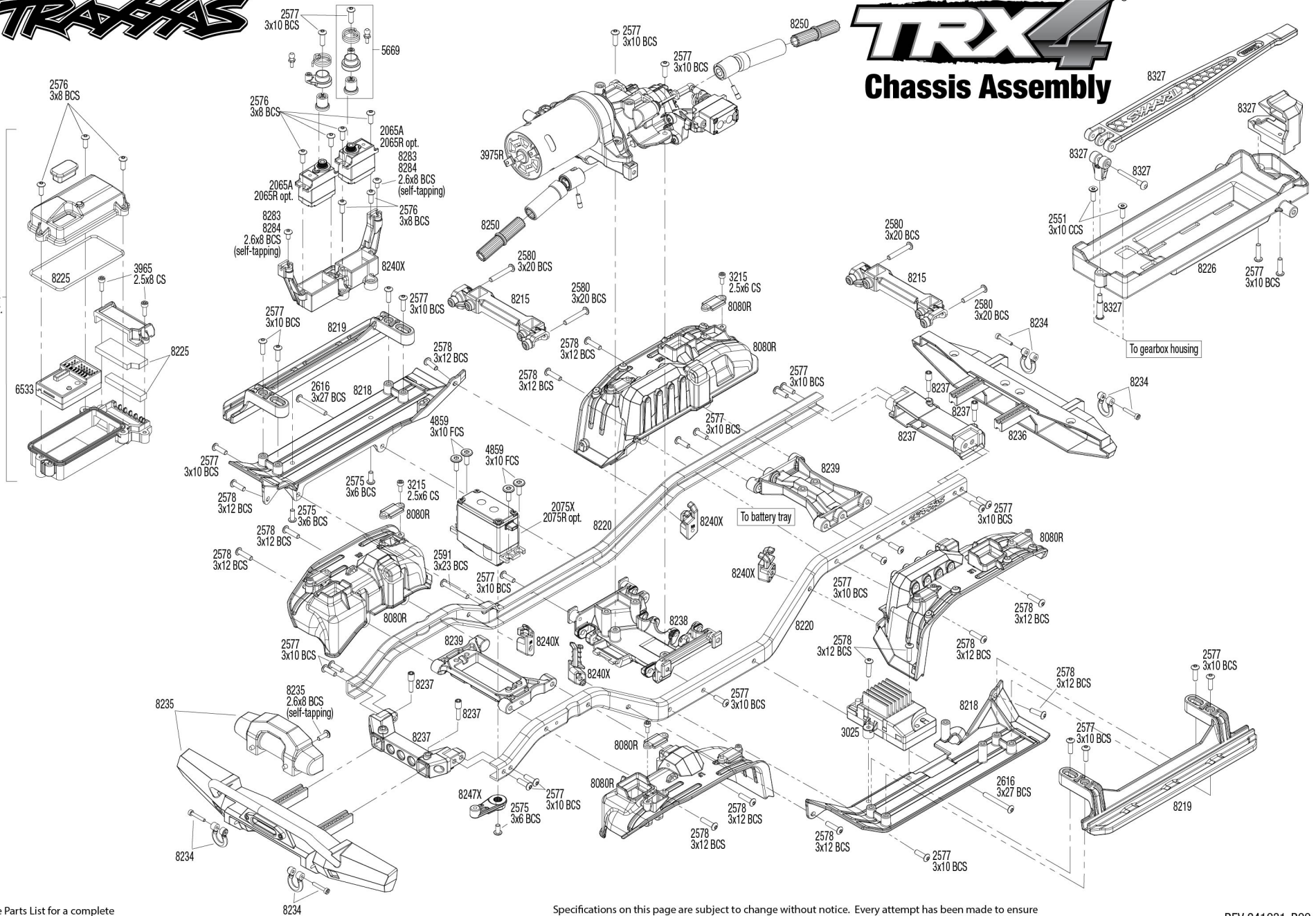


See Parts List for a complete listing of optional accessories.

REV 241031-R00
Specifications on this page are subject to change without notice. Every attempt has been made to ensure the accuracy of this drawing; however, Traxxas cannot be held responsible for typographical or other errors.



Chassis Assembly



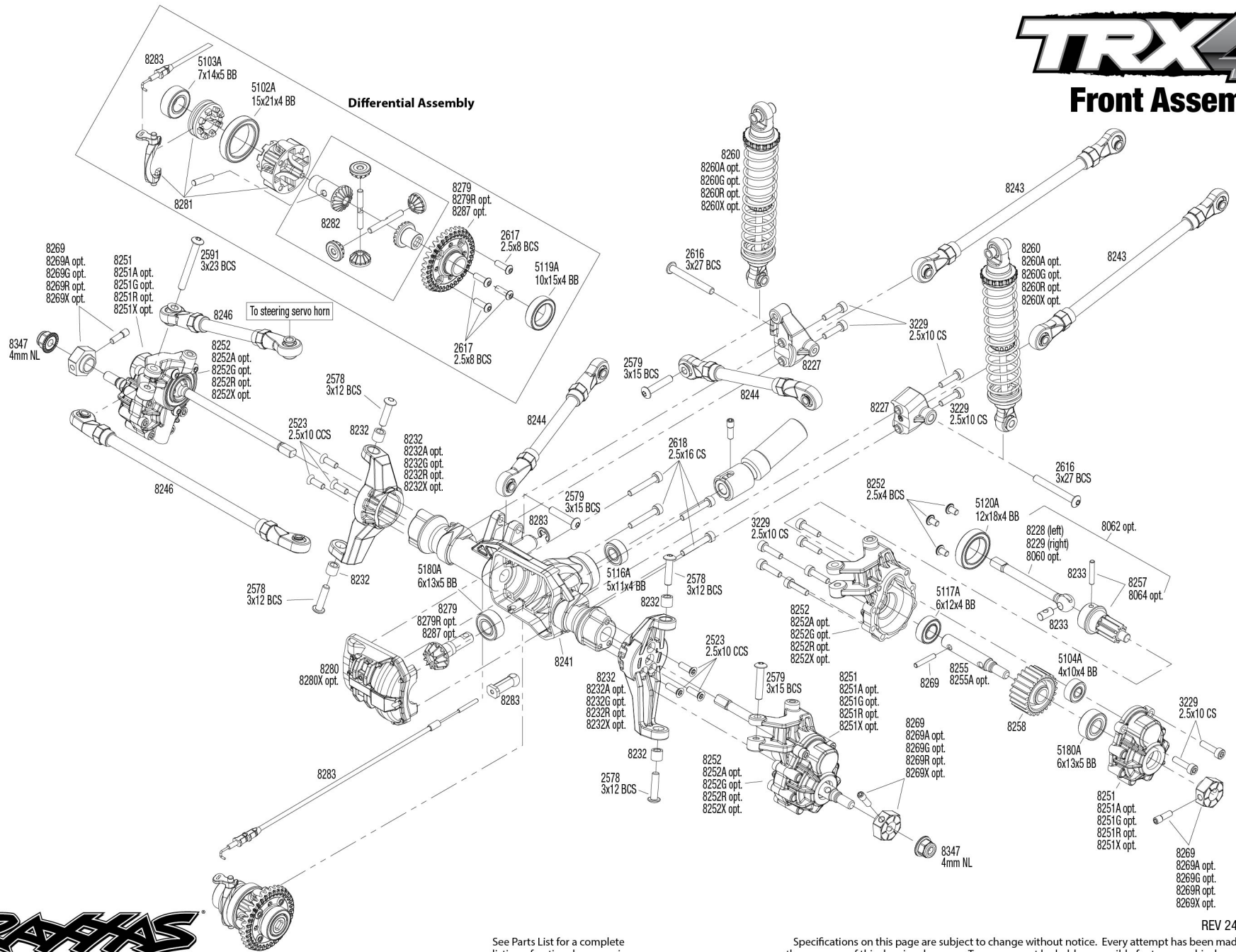
See Parts List for a complete listing of optional accessories.

Specifications on this page are subject to change without notice. Every attempt has been made to ensure the accuracy of this drawing; however, Traxxas cannot be held responsible for typographical or other errors.

REV 241031-R00

TRX4[®]

Front Assembly



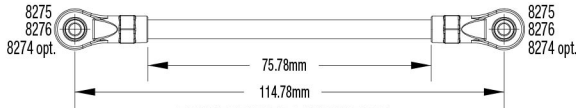
See Parts List for a complete listing of optional accessories.

Specifications on this page are subject to change without notice. Every attempt has been made to ensure the accuracy of this drawing; however, Traxxas cannot be held responsible for typographical or other errors.

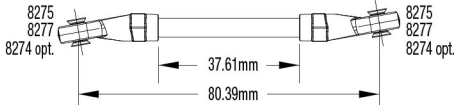
REV 241031-R00



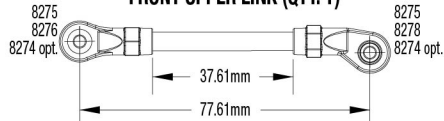
Link Dimensions



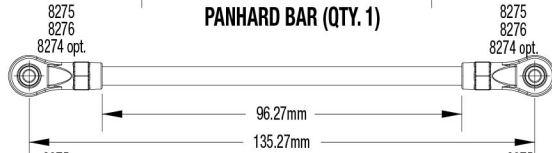
FRONT LOWER LINK (QTY. 2)



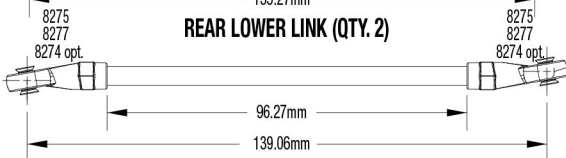
FRONT UPPER LINK (QTY. 1)



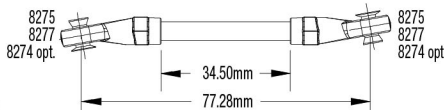
PANHARD BAR (QTY. 1)



REAR LOWER LINK (QTY. 2)



REAR UPPER LINK (QTY. 2)



STEERING LINK (QTY. 1)



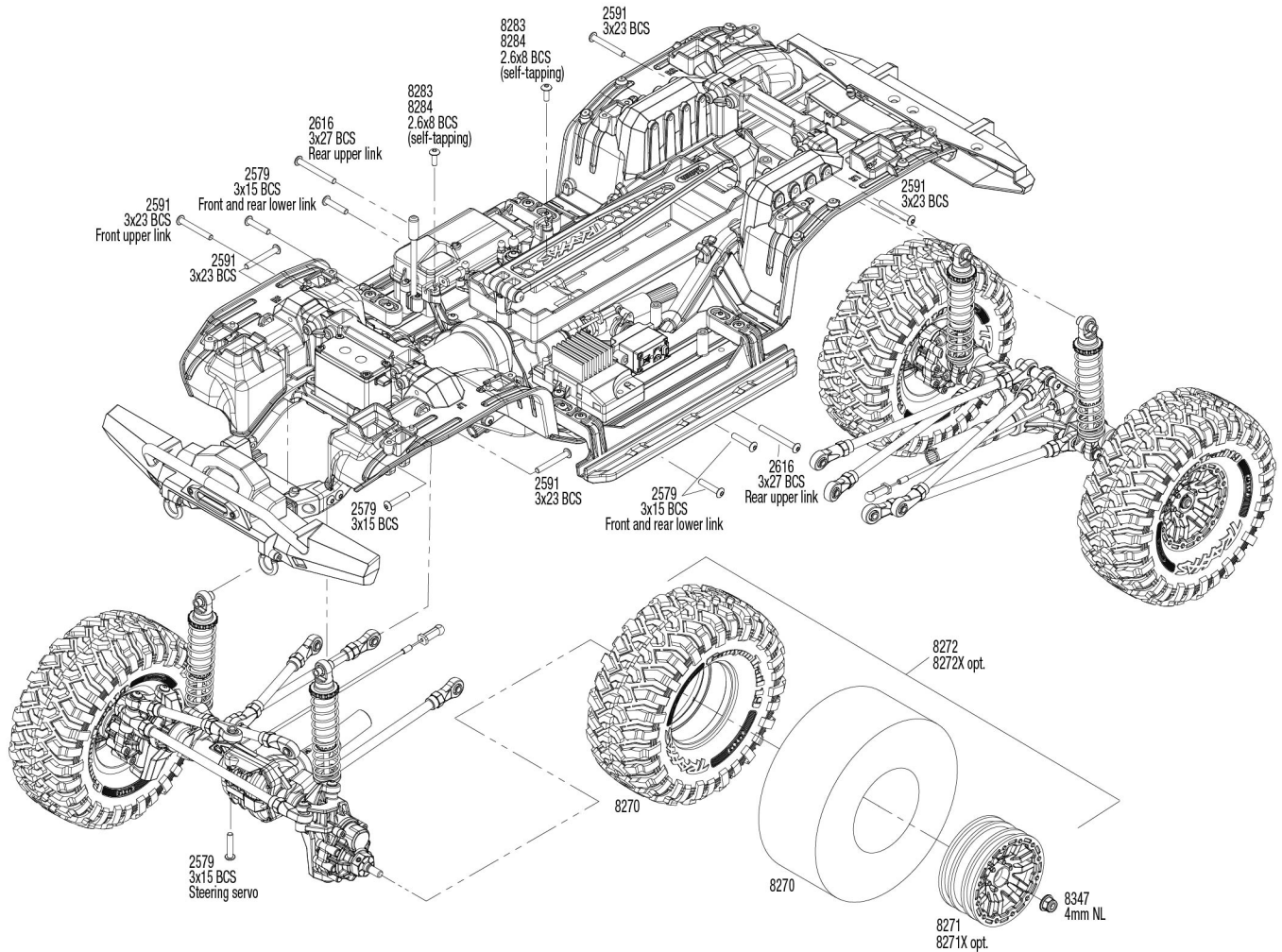
DRAG LINK (QTY. 1)



ROD ENDS

For standard hollow ball replacement, use part #5349.

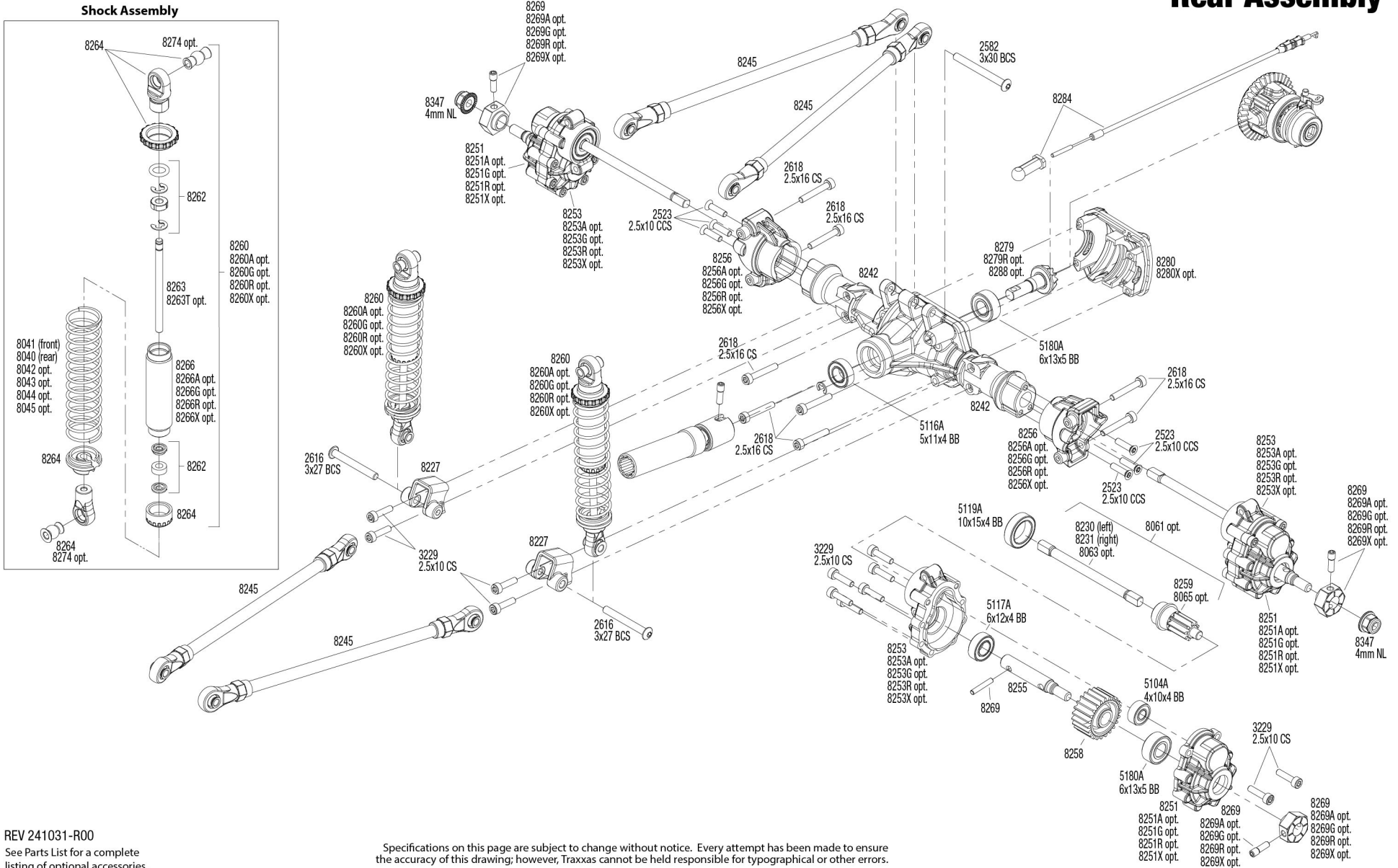
Modular Assembly



See Parts List for a complete listing of optional accessories.

Specifications on this page are subject to change without notice. Every attempt has been made to ensure the accuracy of this drawing; however, Traxxas cannot be held responsible for typographical or other errors.





REV 241031-R00
See Parts List for a complete listing of optional accessories.

Specifications on this page are subject to change without notice. Every attempt has been made to ensure the accuracy of this drawing; however, Traxxas cannot be held responsible for typographical or other errors.