



TRX-4® Land Rover® Defender® (Model 82056-4) Parts List

Parts shown in bold are optional accessories. Part categories and individual part listings are arranged alphabetically.

Axle Components

8241	Axle housing, front
8242	Axle housing, intermediate (TRX-6™) or rear (TRX-4®)
8227	Axle mount set (complete) (front & rear) (for suspension links)
8228	Axle shaft, front (left)/ drive pin/ cross pin
8229	Axle shaft, front (right)/ drive pin/ cross pin
8060	Axle shaft, front, heavy duty (left & right) (requires #8064 front portal drive input gear)
8062	Axle shaft, front, heavy duty (left & right)/ portal drive input gear, front (machined) (2) (assembled)
8230	Axle shaft, rear (left)
8231	Axle shaft, rear (right)
8063	Axle shaft, rear, heavy duty (left & right) (requires #8065 rear portal drive input gear)
8061	Axle shaft, rear, heavy duty (left & right)/ portal drive input gear, rear (machined) (2) (assembled)
8233	Cross pin (2)/ drive pin (2) (to rebuild front axle shafts)
8256	Portal drive axle mount, rear (left & right)
8256X	Portal drive axle mount, rear, 6061-T6 aluminum (blue-anodized) (left and right)/ 2.5x16 CS (4)
8256A	Portal drive axle mount, rear, 6061-T6 aluminum (charcoal gray-anodized) (left and right)/ 2.5x16 CS (4)
8256G	Portal drive axle mount, rear, 6061-T6 aluminum (green-anodized) (left and right)/ 2.5x16 CS (4)
8256R	Portal drive axle mount, rear, 6061-T6 aluminum (red-anodized) (left and right)/ 2.5x16 CS (4)
8252	Portal drive housing, inner, front (left & right)/ 2.5x4 BCS (6)
8253	Portal drive housing, inner, rear (left or right) (2)
8251	Portal drive housing, outer (front or rear) (2)
8064	Portal drive input gear, front (machined) (left or right) (requires #8060 front axle shaft)
8257	Portal drive input gear, front/ drive pin/ cross pin
8259	Portal drive input gear, rear
8065	Portal drive input gear, rear (machined) (left or right) (requires #8063 rear axle)
8258	Portal drive output gear, front or rear
8252X	Portal housings, inner (front), 6061-T6 aluminum (blue-anodized) (2)/ 3x12 BCS (2)
8252A	Portal housings, inner (front), 6061-T6 aluminum (charcoal gray-anodized) (2)/ 3x12 BCS (2)
8252G	Portal housings, inner (front), 6061-T6 aluminum (green-anodized) (2)/ 3x12 BCS (2)
8252R	Portal housings, inner (front), 6061-T6 aluminum (red-anodized) (2)/ 3x12 BCS (2)
8253X	Portal housings, inner (rear), 6061-T6 aluminum (blue-anodized) (2)/ 2.5x10 CS (2)
8253A	Portal housings, inner (rear), 6061-T6 aluminum (charcoal gray-anodized) (2)/ 2.5x10 CS (2)
8253G	Portal housings, inner (rear), 6061-T6 aluminum (green-anodized) (2)/ 2.5x10 CS (2)
8253R	Portal housings, inner (rear), 6061-T6 aluminum (red-anodized) (2)/ 2.5x10 CS (2)
8251X	Portal housings, outer, 6061-T6 aluminum (blue-anodized) (2)/ 2.5x10 CS (12)
8251A	Portal housings, outer, 6061-T6 aluminum (charcoal gray-anodized) (2)/ 2.5x10 CS (12)
8251G	Portal housings, outer, 6061-T6 aluminum (green-anodized) (2)/ 2.5x10 CS (12)
8251R	Portal housings, outer, 6061-T6 aluminum (red-anodized) (2)/ 2.5x10 CS (12)
8255	Stub axle (portal drive) (2)
8255A	Stub axle, extended thread (portal drive) (2)
8267	Weight, portal housing, brass (2) (34 grams)/ 2.5x8 CS (6) (requires #8251X, 8251R, 8251A, or 8251G outer portal housing)

Bearings & Bushings

5119A	Ball bearings, black rubber sealed (10x15x4mm) (2)
5120A	Ball bearings, black rubber sealed (12x18x4mm) (2)
5102A	Ball bearings, black rubber sealed (15x21x4mm) (2)
5104A	Ball bearings, black rubber sealed (4x10x4mm) (2)
5115A	Ball bearings, black rubber sealed (5x10x4mm) (2)
5116A	Ball bearings, black rubber sealed (5x11x4mm) (2)
5114A	Ball bearings, black rubber sealed (5x8x2.5mm) (2)
5117A	Ball bearings, black rubber sealed (6x12x4mm) (2)

5180A	Ball bearings, black rubber sealed (6x13x5mm) (2)
5103A	Ball bearings, black rubber sealed (7x14x5mm) (2)

Body (Ford® Bronco)

9215	Body cage (fits #9211 body)
9211	Body, Ford Bronco (clear, requires painting)/ decals/ window masks (includes grille, side mirrors, door handles, fender flares, windshield wipers, spare tire mount, clipless mounting, hardware) (requires #8080X inner fenders)
9211X	Body, Ford Bronco, complete, Cyber Orange (painted) (includes grille, side mirrors, door handles, fender flares, windshield wipers, spare tire mount, & clipless mounting) (requires #8080X inner fenders)
9211G	Body, Ford Bronco, complete, Iconic Silver (painted) (includes grille, side mirrors, door handles, fender flares, windshield wipers, spare tire mount, & clipless mounting) (requires #8080X inner fenders)
9211L	Body, Ford Bronco, complete, Oxford White (painted) (includes grille, side mirrors, door handles, fender flares, windshield wipers, spare tire mount, & clipless mounting) (requires #8080X inner fenders)
9211R	Body, Ford Bronco, complete, Rapid Red (painted) (includes grille, side mirrors, door handles, fender flares, windshield wipers, spare tire mount, & clipless mounting) (requires #8080X inner fenders)
9211T	Body, Ford Bronco, complete, Shadow Black (painted) (includes grille, side mirrors, door handles, fender flares, windshield wipers, spare tire mount, & clipless mounting) (requires #8080X inner fenders)
9211A	Body, Ford Bronco, complete, Velocity Blue (painted) (includes grille, side mirrors, door handles, fender flares, windshield wipers, spare tire mount, & clipless mounting) (requires #8080X inner fenders)
6593	Distribution block, Pro Scale® Advanced Lighting Control System
9218	Door handles, left & right/ trail sights, left & right/ trail sight retainers (2)/ 2.6x8 BCS (4)/ 1.6x7 BCS (self-tapping) (5) (fits #9211 body)
9291	Front light harness, Ford Bronco (requires #6592 lighting power module and #6593 distribution block)
9220	Grille, Ford Bronco/ grille mount/ 2.6x8 BCS (6)/ 3x8 BCS (4) (fits #9211 body)
9222	Headlight assembly, complete (2)/ 2.6x8mm BCS (2) (fits #9211 body)
9216	Latch, body mount (2)/ 3x8 BCS (8)
8036R	LED light set (contains headlights, tail lights, side marker lights, and distribution block) (fits #8010 or 9230 series bodies, requires #8028 power supply)
6592	Power module, Pro Scale® Advanced Lighting Control System (includes mount, communication cables, hardware)
6591	Pro Scale® Advanced Lighting Control System (includes power module & distribution block)
9290	Pro Scale® LED light set, Ford Bronco, complete with power module (includes headlights, tail lights, & distribution block) (fits #9211 body)
9292	Rear light harness, Ford Bronco (requires #6592 lighting power module and #6593 distribution block)
6594	Receiver communication cable, Pro Scale® Advanced Lighting Control System
9217	Side mirrors, black (left & right)/ windshield wipers (2)/ cow/ 2.5x8 BCS (3)/ 2.5x10 CS (2)/ 1.6x5 BCS (2) (fits #9211 body)
9219	Spare tire mount/ mounting bracket/ 3x8 BCS (3)/ 3x12 BCS (4) (fits #9211 body)
9221	Tail light assembly, complete (2)/ 3x8mm BCS (4) (fits #9211 body)

Body (Land Rover® Defender®)

8011A	Body, Land Rover Defender, adventure orange (complete with ExoCage, inner fenders, fuel canisters, and jack)
8011T	Body, Land Rover Defender, blue (painted)/ decals
8011P	Body, Land Rover Defender, complete (clear, trimmed, requires painting) (includes grille, side mirrors, door handles, windshield wipers, ExoCage, spare tire mount, decals, window masks)
8011X	Body, Land Rover Defender, graphite silver (painted)/ decals
8011R	Body, Land Rover Defender, red (painted)/ decals
8012	Decals, Land Rover Defender
6593	Distribution block, Pro Scale® Advanced Lighting Control System

Page 2 TRX-4® Land Rover® Defender®: TQI™ Traxxas Link™ Enabled 2.4GHz Radio (Model 82056-4) Parts List

- 8016 ExoCage (complete with assembly hardware; #8015 roof basket sold separately) (fits #8011 series bodies)
- 8019 Fender brace, inner, front & rear
- 8017 Fender flares, front & rear (2 each) (fits #8011 or #8211 series bodies)
- 8018 Fenders, inner, front & rear (2 each)/ rock light covers (8)
- 8013 Grille, Land Rover Defender/ grille mount (3)/ headlight housing (2)/ lens (2)/ headlight mount (2) (fits #8011 series bodies)
- 8027 LED headlight/tail light kit (fits #8011 series bodies, requires #8028 power supply)**
- 8095 LED light set, complete with power supply (contains headlights, tail lights, roof light bar, rock lights & distribution block) (fits #8011 series bodies)**
- 8025 LED lightbar (Rigid), TRX-4® (requires #8028 power supply)**
- 8029 LED lightbar kit (Rigid)/power supply, TRX-4®**
- 8028 LED lights, power supply (regulated, 3V, 0.5-amp)/ 3-in-1 wire harness**
- 8020 Mirrors, side (left & right)/ snorkel/ mounting hardware (fits #8011 series bodies)
- 6592 Power module, Pro Scale® Advanced Lighting Control System (includes mount, communication cables, hardware)**
- 6591 Pro Scale® Advanced Lighting Control System (includes power module & distribution block)**
- 6594 Receiver communication cable, Pro Scale® Advanced Lighting Control System**
- 8015 Roof basket (requires #8216 ExoCage) (fits #8011 series bodies)
- 8021 Spare tire mount/ mounting bracket/ screw pins (2)
- 8014 Tail light housing (2)/ lens (2)/ decals (left & right) (fits #8011 series bodies)

Body Accessories

- 1926 Antenna caps, vinyl (2)/ antenna spool**
- 1726 Antenna, tube (1)/ vinyl antenna cap (1)/ wire retainer (1)
- 1834 Body Clips (12) (standard size)
- 1834A Body clips, black (12) (standard size)**
- 3934 Body clips, heavy duty (12)**
- 3934A Body clips, heavy duty (black) (12)**
- 8215 Body mounts & posts, front & rear (complete set)
- 4915 Body washers, foam adhesive (10)
- 2514 Decal sheet, racing sponsors**
- 8081 Fender extensions (4)/ 3x8 flathead screws (24) (requires #8080 narrow inner fenders)**
- 8080 Fenders, inner (narrow), front & rear (2 each)/ rock light covers (8)/ battery plate/ body mount/ 3x8 flat-head screws (4)/ 2.5x6 CS (10)**
- 8080X Fenders, inner (narrow), front & rear (2 each)/ rock light covers (8)/ battery plate/ body mount/ 3x8 flat-head screws (4)/ 2.5x6 CS (10) (for clipless body mounting)**
- 8072 Fenders, inner, front & rear (2 each)/ rock light covers (8)/ battery plate/ 3x8 flathead screws (4)**
- 8022T Fuel canisters (black) (2)/ screw pin**
- 8022R Fuel canisters (blue) (2)/ screw pin**
- 8022-GRN Fuel canisters (green) (2)/ screw pin**
- 8022 Fuel canisters (red) (2)/ screw pin
- 8022X Fuel canisters (white) (2)/ screw pin**
- 8022A Fuel canisters (yellow) (2)/ screw pin**
- 9950 Official Team Traxxas® racing decal set(flag logo/ 6-color)**

Bumpers & Skidplates

- 8234 Bumper D-Rings, grey (front or rear)/ 2.0x12 CS (4)
- 8234R Bumper D-rings, red (front or rear)/ 2.0x12 CS (4)**
- 8067 Bumper mounts, front & rear**
- 8237 Bumper mounts, front & rear/ screw pins (4)
- 8069 Bumper, front (chrome)/ bumper mount/ 3x10 BCS (2)**
- 8235 Bumper, front/ winch/ 2.6x8 BCS (1)
- 8236 Bumper, rear
- 8068 Bumper, rear (chrome)/ bumper mount/ 3x10 BCS (2)**
- 8066 Push bar, bumper (chrome) (fits #8069 bumper)**
- 8238 Skidplate/ lower gear cover

Chassis & Attachments

- 8327 Battery hold-down/ battery clip/ hold-down post/screw pin (for 256mm wheelbase)
- 8215 Body mounts & posts, front & rear (complete set)
- 8224 Box, receiver (sealed)/ wire cover/ foam pads/ silicone grease/ 3x8 BCS (5)/ 2.5x8 CS (2)
- 8058 Chassis conversion kit, TRX-4® (long to short wheelbase) (includes rear upper & lower suspension links, front & rear inner fenders, short female half shaft, battery tray, 3x8mm FCS (4))**
- 8057 Chassis conversion kit, TRX-4® (short to long wheelbase) (includes rear upper & lower suspension links, front & rear shock towers, long female half shaft)**
- 8220 Chassis rails, 448mm (steel) (left & right)

- 8072 Fenders, inner, front & rear (2 each)/ rock light covers (8)/ battery plate/ 3x8 flathead screws (4)**
- 8218 Floor pans, left & right
- 8224X Receiver box cover (for use only with #8224 receiver box & #2260 BEC)/ foam pads/ seals/ silicone grease**
- 8219 Rock sliders, left & right
- 8225 Seal kit, receiver box (includes o-ring, seals, and silicone grease)**
- 8240X Servo mount, 2-speed/ servo mount, T-Lock/ wire clips
- 8239 Servo mount, steering/ chassis crossmember
- 8216 Shock towers, front & rear (left & right)
- 8226 Tray, battery

Differential Components

- 8281 Carrier, differential/ differential slider/ T-Lock fork
- 8280A Differential cover, front or rear (black)**
- 8280X Differential cover, front or rear (chrome plated)**
- 8280-GRN Differential cover, front or rear (green)**
- 8280 Differential cover, front or rear (grey)
- 8280R Differential cover, front or rear (red)**
- 8282 Gear set, differential (output gears (2), spider gears (4), spider gear shaft (2))
- 8295 Output drive, transmission or differential (pin retainer (1)/ drive cup (1)/ drive ball (1)/ drive pin (1)/ 3x10 screw pin (1)/ cross pin (black) (1) 3x6 BCS with threadlock (1))
- 8279 Ring gear, differential/ pinion gear, differential
- 8279R Ring gear, differential/ pinion gear, differential (machined)**
- 8287 Ring gear, differential/ pinion gear, differential (overdrive, machined)**
- 8288 Ring gear, differential/ pinion gear, differential (underdrive, machined)**
- 8297 Spool/ differential housing plug/ e-clip/ 2.5x8mm BCS (with threadlock) (4)**

Driveline Components

- 8250 Half shafts, center (internal splined, front (2) & internal splined, rear (2)/ external splined (2)/ pin retainer (4)) (plastic parts only)
- 8255 Stub axle (portal drive) (2)
- 8255A Stub axle, extended thread (portal drive) (2)**
- 8269 Wheel hubs, 12mm hex (2)/ stub axle pins (2) (steel)
- 8269X Wheel hubs, 12mm hex, 6061-T6 aluminum (blue-anodized) (4)/ 3x10 screw pin (4)**
- 8269A Wheel hubs, 12mm hex, 6061-T6 aluminum (charcoal gray-anodized) (4)/ 3x10 screw pin (4)**
- 8269G Wheel hubs, 12mm hex, 6061-T6 aluminum (green-anodized) (4)/ 3x10 screw pin (4)**
- 8269R Wheel hubs, 12mm hex, 6061-T6 aluminum (red-anodized) (4)/ 3x10 screw pin (4)**

Hardware

- 1552 3x8mm Hex Cap Screws (6)/ Washers (6)/ Wrench (1)
- 1834 Body Clips (12) (standard size)
- 1834A Body clips, black (12) (standard size)**
- 3934 Body clips, heavy duty (12)**
- 3934A Body clips, heavy duty (black) (12)**
- 4859 CS 3x10 flathead (hex drive)
- 8167X Hardware kit, stainless steel, beadlock rings (contains stainless steel hardware for 4 wheels)**
- 8298 Hardware kit, stainless steel, TRX-4® (contains all stainless steel hardware used on TRX-4®)**
- 8151 Hardware kit, stainless steel, TRX-4® High Lift Kit (contains all stainless steel hardware used on TRX-4® High Lift Kit)**
- 5476X Hex wrenches; 1.5mm, 2mm, 2.5mm, 3mm, 2.5 ball**
- 1747P Nuts, 4mm flanged nylon locking (aluminum, pink anodized) (4)**
- 3647 Nuts, 4mm flanged nylon locking (steel, serrated) (8)**
- 8347 Nuts, 4mm flanged nylon locking, serrated (black) (10)
- 1747R Nuts, aluminum, flanged, serrated (4mm) (blue-anodized) (4)**
- 1747G Nuts, aluminum, flanged, serrated (4mm) (green-anodized) (4)**
- 1747T Nuts, aluminum, flanged, serrated (4mm) (orange-anodized) (4)**
- 1747A Nuts, aluminum, flanged, serrated (4mm) (red-anodized) (4)**
- 1985 PTFE-coated Washers, 5x8x0.5mm (20) (use with ball bearings)
- 8221 Screw pin, 3x10mm (6)
- 2523 Screws, 2.5x10 countersunk machine (hex drive) (6)
- 3229 Screws, 2.5x10mm cap-head machine (hex drive) (6)
- 3236 Screws, 2.5x12mm cap-head machine (6)
- 2618 Screws, 2.5x16mm cap-head machine (6)
- 3215 Screws, 2.5x6mm cap-head machine (hex drive) (6)
- 2524 Screws, 2.5x8 countersunk machine (hex drive) (6)
- 2617 Screws, 2.5x8mm button-head machine (hex drive) (6)
- 3965 Screws, 2.5x8mm cap-head machine (6)
- 8299 Screws, 2.6x12mm button-head, self-tapping (hex drive) (6)
- 8167 Screws, 2x10mm cap-head, self-tapping (hex drive) (10)
- 2564 Screws, 2x8mm cap-head machine (hex drive) (6)

Page 3 TRX-4® Land Rover® Defender®: TQi™ Traxxas Link™ Enabled 2.4GHz Radio (Model 82056-4) Parts List

- 2577 Screws, 3x10mm button-head machine (hex drive) (6)
- 2578 Screws, 3x12mm button-head machine (hex drive) (6)
- 2579 Screws, 3x15mm button-head machine (hex drive) (6)
- 2591 Screws, 3x23mm button-head machine (hex drive) (6)
- 2581 Screws, 3x25mm button-head machine (hex drive) (6)
- 2616 Screws, 3x27mm button-head machine (hex drive) (6)
- 2582 Screws, 3x30mm button-head machine (hex drive) (6)
- 2575 Screws, 3x6mm button-head machine (hex drive) (6)
- 3932 Screws, 3x6mm flat-head machine (hex drive) (6)
- 2576 Screws, 3x8mm button-head machine (hex drive) (6)
- 3931 Screws, 3x8mm flat-head machine (hex drive) (6)
- 3933 Screws, 4x16mm button-head machine (hex drive) (6)

LED Light Accessories

- 8031 3-in-1 wire harness, LED light kit
- 8089 4-in-2 wire harness, LED light kit
- 6589 Distribution block, LED light set
- 6593 Distribution block, Pro Scale® Advanced Lighting Control System
- 8027 LED headlight/tail light kit (fits #8011 series bodies, requires #8028 power supply)
- 8095 LED light set, complete with power supply (contains headlights, tail lights, roof light bar, rock lights & distribution block) (fits #8011 series bodies)
- 8025 LED lightbar (Rigid), TRX-4® (requires #8028 power supply)
- 8029 LED lightbar kit (Rigid)/power supply, TRX-4®
- 8028 LED lights, power supply (regulated, 3V, 0.5-amp)/ 3-in-1 wire harness
- 8026X LED rock light kit, TRX-4®/TRX-6™ (requires #8028 power supply and #8018, #8072, or #8080 inner fenders)
- 6592 Power module, Pro Scale® Advanced Lighting Control System (includes mount, communication cables, hardware)
- 6591 Pro Scale® Advanced Lighting Control System (includes power module & distribution block)
- 6594 Receiver communication cable, Pro Scale® Advanced Lighting Control System

Long Arm Lift Kit

- 8162X Body, GTS shock, long (aluminum, blue-anodized) (1) (for use #8140X TRX-4® Long Arm Lift Kit)
- 8162R Body, GTS shock, long (aluminum, red-anodized) (1) (for use with #8140R TRX-4® Long Arm Lift Kit)
- 8162 Body, GTS shock, long (silver aluminum) (1) (for use with #8140 TRX-4® Long Arm Lift Kit)
- 8147 Cable, T-lock (medium) (for use with TRX-4® Long Arm Lift Kit)
- 8148 Cable, T-lock, extra long (193mm) (for use with TRX-4® Long Arm Lift Kit)
- 8150 Driveshaft extension kit, center (includes internal splined, x-long (2), internal splined, long (1) and internal splined, medium (1)) (for use with TRX-4® Long Arm Lift Kit)
- 8140 Long arm lift kit, TRX-4®, complete
- 8140X Long arm lift kit, TRX-4®, complete (includes blue powder coated links, blue-anodized shocks)
- 8140-GRN Long arm lift kit, TRX-4®, complete (includes green powder coated links, green-anodized shocks)
- 8140R Long arm lift kit, TRX-4®, complete (includes red powder coated links, red-anodized shocks)
- 8149 Rod ends, extended (standard (4), angled (4))/ hollow balls (8) (for use with TRX-4® Long Arm Lift Kit)
- 8141 Servo mount, steering (for use with TRX-4® Long Arm Lift Kit)
- 8161 Shock shaft, 3x57mm (GTS) (2) (includes bump stops) (for use with TRX-4® Long Arm Lift Kit)
- 8160X Shocks, GTS, aluminum (blue-anodized) (assembled without springs) (4) (for use with #8140X TRX-4® Long Arm Lift Kit)
- 8160-GRN Shocks, GTS, aluminum (green-anodized) (assembled without springs) (4) (for use with #8140 TRX-4® Long Arm Lift Kit)
- 8160R Shocks, GTS, aluminum (red-anodized) (assembled without springs) (4) (for use with #8140R TRX-4® Long Arm Lift Kit)
- 8160 Shocks, GTS, silver aluminum (assembled without springs) (4) (for use with #8140 TRX-4® Long Arm Lift Kit)
- 8153 Springs, shock, long (natural finish) (GTS) (0.29 rate, white stripe) (for use with TRX-4® Long Arm Lift Kit)
- 8154 Springs, shock, long (natural finish) (GTS) (0.39 rate, orange stripe) (for use with TRX-4® Long Arm Lift Kit)
- 8155 Springs, shock, long (natural finish) (GTS) (0.47 rate) (included with TRX-4® Long Arm Lift Kit)
- 8156 Springs, shock, long (natural finish) (GTS) (0.54 rate, green stripe) (for use with TRX-4® Long Arm Lift Kit)
- 8157 Springs, shock, long (natural finish) (GTS) (0.62 rate, blue stripe) (for use with TRX-4® Long Arm Lift Kit)
- 8146X Steering link, 5x117mm (1)/ drag link, 5x60mm (1)/ panhard link, 5x63mm (blue powder coated steel) (assembled with hollow balls) (for use with #8140X TRX-4® Long Arm Lift Kit)

- 8146R Steering link, 5x117mm (1)/ drag link, 5x60mm (1)/ panhard link, 5x63mm (red powder coated steel) (assembled with hollow balls) (for use with #8140R TRX-4® Long Arm Lift Kit)
- 8144X Suspension link, front upper, 5x68mm (1) (blue powder coated steel) (assembled with hollow balls) (for use with #8140X TRX-4® Long Arm Lift Kit)
- 8144R Suspension link, front upper, 5x68mm (1) (red powder coated steel) (assembled with hollow balls) (for use with #8140R TRX-4® Long Arm Lift Kit)
- 8144 Suspension link, front upper, 5x68mm (1) (steel) (assembled with hollow balls) (for use with #8140 TRX-4® Long Arm Lift Kit)
- 8143 Suspension links, front lower (2) (5x104mm, steel) (assembled with hollow balls) (for use with #8140 TRX-4® Long Arm Lift Kit)
- 8143X Suspension links, front lower, blue (2) (5x104mm, powder coated steel) (assembled with hollow balls) (for use with #8140X TRX-4® Long Arm Lift Kit)
- 8143R Suspension links, front lower, red (2) (5x104mm, powder coated steel) (assembled with hollow balls) (for use with #8140R TRX-4® Long Arm Lift Kit)
- 8145 Suspension links, rear lower (2) (5x115mm, steel) (assembled with hollow balls) (for use with #8140 TRX-4® Long Arm Lift Kit)
- 8145X Suspension links, rear lower, blue (2) (5x115mm, powder coated steel) (assembled with hollow balls) (for use with #8140X TRX-4® Long Arm Lift Kit)
- 8145R Suspension links, rear lower, red (2) (5x115mm, powder coated steel) (assembled with hollow balls) (for use with #8140R TRX-4® Long Arm Lift Kit)
- 8142 Suspension links, rear upper (2) (5x115mm, steel) (assembled with hollow balls) (for use with #8140 TRX-4® Long Arm Lift Kit)
- 8142X Suspension links, rear upper, blue (2) (5x115mm, powder coated steel) (assembled with hollow balls) (for use with #8140X TRX-4® Long Arm Lift Kit)
- 8142R Suspension links, rear upper, red (2) (5x115mm, powder coated steel) (assembled with hollow balls) (for use with #8140R TRX-4® Long Arm Lift Kit)
- 8172 Tires & wheels, assembled (Method Race Wheels® 105 Beadlock 2.2" black chrome beadlock wheels, Canyon Trail 5.3x2.2" tires, foam inserts) (1 left, 1 right)
- 8181-BLUE Tires & wheels, assembled, glued (TRX-4® Sport 2.2" gray, blue beadlock style wheels, Canyon Trail 5.3x2.2" tires) (2)
- 8181-GRN Tires & wheels, assembled, glued (TRX-4® Sport 2.2" gray, green beadlock style wheels, Canyon Trail 5.3x2.2" tires) (2)
- 8181-RED Tires & wheels, assembled, glued (TRX-4® Sport 2.2" gray, red beadlock style wheels, Canyon Trail 5.3x2.2" tires) (2)
- 8181 Tires & wheels, assembled, glued (TRX-4® Sport 2.2" wheels, Canyon Trail 5.3x2.2" tires) (2)
- 8170 Tires, Canyon Trail 5.3x2.2"/ foam inserts (2)
- 8171 Wheels, 2.2", Method Race Wheels® 105 Beadlock (black chrome, beadlock) (beadlock rings sold separately)
- 8171A Wheels, 2.2", Method Race Wheels® 105 Beadlock (charcoal gray, beadlock) (beadlock rings sold separately)
- 8180 Wheels, TRX-4® Sport 2.2 (2)
- 8180-BLUE Wheels, TRX-4® Sport 2.2 (gray, blue beadlock style) (2)
- 8180-GRN Wheels, TRX-4® Sport 2.2 (gray, green beadlock style) (2)
- 8180-RED Wheels, TRX-4® Sport 2.2 (gray, red beadlock style) (2)

Motors & Electronics

- 1926 Antenna caps, vinyl (2)/ antenna spool
- 1726 Antenna, tube (1)/ vinyl antenna cap (1)/ wire retainer (1)
- 2262 BEC, complete (12.6 volts (3s LiPo) maximum input voltage) (includes receiver box cover and seals)
- 2064A Gear set (for 2065A waterproof sub-micro servo)
- 2064R Gear set, metal (for 2065R waterproof sub-micro servo)
- 2072X Gear set, metal (for 2070, 2075 servos)
- 2252 Gear set, metal (for 2250, 2255 servos)
- 2272 Gear set, metal (for 2270 waterproof servo)
- 2072R Gear set, metal, high-speed (for 2070, 2075 servos)
- 8290X Motor mount plate, 6061-T6 aluminum (blue-anodized)
- 8290A Motor mount plate, 6061-T6 aluminum (charcoal gray-anodized)
- 8290G Motor mount plate, 6061-T6 aluminum (green-anodized)
- 8290R Motor mount plate, 6061-T6 aluminum (red-anodized)
- 3975R Motor, Titan 550, reverse rotation (21-turns/ 14 volts) (1)
- 8290 Plate, motor/ upper spur gear cover
- 2254 Servo case, aluminum (middle) (blue-anodized) (for 2250 servo)
- 2253 Servo case, aluminum (middle) (red-anodized) (for 2255 servo)
- 2251 Servo case, plastic (top, middle, bottom)/ gaskets/ hardware (for 2250, 2255 servos)
- 2271 Servo case/ gaskets (for 2270 waterproof servo)
- 2063A Servo case/gaskets (for 2065A waterproof sub-micro servo)
- 2063R Servo case/gaskets (for 2065R metal gear, waterproof, sub-micro servo)
- 2063X Servo case/gaskets (for 2065X metal gear, waterproof, sub-micro servo)

Page 4 TRX-4® Land Rover® Defender®: TQi™ Traxxas Link™ Enabled 2.4GHz Radio (Model 82056-4) Parts List

5669	Servo horn (with built-in spring and hardware) (for Summit locking differential)
2075R	Servo, digital high-speed, metal gear (ball bearing), waterproof
2250	Servo, digital high-torque 330 coreless, metal gear (ball bearing), waterproof (#2262 external BEC and #8247X metal servo horn recommended for optimal performance)
2255	Servo, digital high-torque 400 brushless, metal gear (ball bearing), waterproof (#2262 external BEC and #8247X metal servo horn recommended for optimal performance)
2270	Servo, digital high-torque, metal gear (ball bearing), waterproof
2075X	Servo, digital high-torque, metal gear (ball bearing), waterproof
2065A	Servo, sub-micro, waterproof
2065R	Servo, sub-micro, waterproof, metal gear
3025	XL-5HV 3s Electronic Speed Control, waterproof (low-voltage detection, fwd/rev/brake)
2261	Y-harness, BEC

Pro Scale® Winch & Accessories

8865	Bumper, front, winch, narrow (includes bumper mount, D-Rings, fairlead, hardware) (fits TRX-4® Land Rover® Defender® and Tactical Unit with 8855 winch) (200mm wide)
8859	Fairlead, winch
8870X	Fairlead, winch, aluminum (blue-anodized) (use with front bumpers #8865, 8866, 8867, 8869, or 9224)
8870A	Fairlead, winch, aluminum (gray-anodized) (use with front bumpers #8865, 8866, 8867, 8869, or 9224)
8870G	Fairlead, winch, aluminum (green-anodized) (use with front bumpers #8865, 8866, 8867, 8869, or 9224)
8870T	Fairlead, winch, aluminum (orange-anodized) (use with front bumpers #8865, 8866, 8867, 8869, or 9224)
8870R	Fairlead, winch, aluminum (red-anodized) (use with front bumpers #8865, 8866, 8867, 8869, or 9224)
8862	Gearmotor, winch
8863	Hook, winch (steel)/ line retainer/ washer
8858	Housings (front & rear), winch/ decal
8864X	Line, winch (blue)
8864	Line, winch (gray)
8864R	Line, winch (red)
8860	Spool shaft assembly, winch
8861	Spool, winch
8855	Winch kit with wireless controller, TRX-4® and TRX-6®
8856	Winch, TRX-4® and TRX-6® (requires #8857 wireless remote)
8857	Wireless remote, winch, TRX-4® and TRX-6®

Radio System, Batteries & Chargers

2823X	1400mah 11.1v 3-Cell 25C LiPo Battery
2820X	2200mah 7.4v 2-Cell 25C LiPo Battery
2849X	4000mah 11.1v 3-Cell 25C LiPo Battery
2872X	5000mah 11.1v 3-Cell 25C LiPo Battery
2842X	5000mah 7.4v 2-Cell 25C LiPo Battery
2843X	5800mah 7.4v 2-Cell 25C LiPo Battery
2869X	7600mah 7.4v 2-Cell 25C LiPo Battery
2914	Battery, Power Cell AA Alkaline (4)
2976	AC to DC adapter
2938X	Adapter, Traxxas® iD® LiPo battery (adapts Traxxas® iD® batteries to separate balance ports)
1726	Antenna, tube (1)/ vinyl antenna cap (1)/ wire retainer (1)
2943	Battery charge indicators, green (4), grey (4), blue (4)
6548	Battery door, TQ 2.4 transmitter (replacement for #6516, 6517 transmitter)
8222	Battery strap (for use with 2200mAh 2-cell and 1400mAh 3-cell LiPo batteries)
2923X	Battery, Power Cell, 3000mAh (NiMH, 7-C flat, 8.4V)
2940X	Battery, Series 3 Power Cell, 3300mAh (NiMH, 7-C flat, 8.4V)
2950X	Battery, Series 4 Power Cell, 4200mAh (NiMH, 7-C flat, 8.4V)
2960X	Battery, Series 5 Power Cell, 5000mAh (NiMH, 7-C flat, 8.4V)
2983	Battery/charger completer pack (includes #2969 2-amp NiMH peak detecting AC charger (1), #2923X 3000mAh 8.4V 7-cell NiMH iD® battery (1))
2992	Battery/charger completer pack (includes #2970 iD® charger (1), #2843X 5800mAh 7.4V 2-cell 25C LiPo iD® battery (1))
2994	Battery/charger completer pack (includes #2970 iD® charger (1), #2849X 4000mAh 11.1v 3-Cell 25C LiPo iD® battery (1))
2991	Battery/charger completer pack (includes #2972 Dual iD charger (1), #2869X 7600mAh 7.4V 2-cell 25C LiPo iD® Battery (2))
2262	BEC, complete (12.6 volts (3s LiPo) maximum input voltage) (includes receiver box cover and seals)
2975	Charger, D/C, 4 amp (6 - 7 cell, 7.2 - 8.4 volt, NiMH)
2972	Charger, EZ-Peak Dual, 100W, NiMH/LiPo with iD Auto Battery Identification
2973	Charger, EZ-Peak Live Dual, 200W, NiMH/LiPo with iD Auto Battery Identification

2970	Charger, EZ-Peak Plus, 4 amp, NiMH/LiPo with iD Auto Battery Identification
2971	Charger, EZ-Peak® Live, 100W, NiMH/LiPo with iD® Auto Battery Identification
2981	Charger, EZ-Peak® Plus 4s, 8 amp, NiMH/LiPo with iD® Auto Battery Identification
6525	Communication link, telemetry expander
6512	Cover plate, Traxxas® Link Bluetooth® module
2978	Fuse, D/C charger, 5A (2) (for #2974, 2975, 2977)
2064A	Gear set (for 2065A waterproof sub-micro servo)
2064R	Gear set, metal (for 2065R waterproof sub-micro servo)
2072X	Gear set, metal (for 2070, 2075 servos)
2252	Gear set, metal (for 2250, 2255 servos)
2272	Gear set, metal (for 2270 waterproof servo)
2072R	Gear set, metal, high-speed (for 2070, 2075 servos)
2968X	LiPo cell voltage checker/balancer (includes #2938X adapter for Traxxas® iD® batteries)
2968	LiPo cell voltage checker/balancer (requires #2938X adapter for Traxxas® iD® batteries)
6561	Mount, telemetry expander
6535	Mount, temperature sensor (electric motors)/ wire tie/ thermal pad
6533	Receiver, micro, TQi 2.4GHz with telemetry & TSM® (5-channel)
6552	Seal kit, expander box (includes o-ring, seals, and silicone grease)
6526	Sensor, auto-detectable, temperature
6527	Sensor, auto-detectable, voltage
6521	Sensor, temperature and voltage (long)
2254	Servo case, aluminum (middle) (blue-anodized) (for 2250 servo)
2253	Servo case, aluminum (middle) (red-anodized) (for 2255 servo)
2251	Servo case, plastic (top, middle, bottom)/ gaskets/ hardware (for 2250, 2255 servos)
2271	Servo case/ gaskets (for 2270 waterproof servo)
2063A	Servo case/gaskets (for 2065A waterproof sub-micro servo)
2063R	Servo case/gaskets (for 2065R metal gear, waterproof, sub-micro servo)
2063X	Servo case/gaskets (for 2065X metal gear, waterproof, sub-micro servo)
2075R	Servo, digital high-speed, metal gear (ball bearing), waterproof
2250	Servo, digital high-torque 330 coreless, metal gear (ball bearing), waterproof (#2262 external BEC and #8247X metal servo horn recommended for optimal performance)
2255	Servo, digital high-torque 400 brushless, metal gear (ball bearing), waterproof (#2262 external BEC and #8247X metal servo horn recommended for optimal performance)
2075X	Servo, digital high-torque, metal gear (ball bearing), waterproof
2270	Servo, digital high-torque, metal gear (ball bearing), waterproof
2065A	Servo, sub-micro, waterproof
2065R	Servo, sub-micro, waterproof, metal gear
6553X	Telemetry Expander 2.0 and GPS module 2.0, TQi radio system
6550X	Telemetry expander 2.0, TQi radio system (for use only with #6551X GPS module)
6551X	Telemetry GPS module 2.0, TQi radio system (for use only with #6550X telemetry expander)
6509R	TQi 2.4 GHz High Output radio system, 2-channel, Traxxas® Link enabled, TSM® (2-ch transmitter, 5-ch micro receiver)
6507R	TQi 2.4 GHz High Output radio system, 4-channel with Traxxas® Link Bluetooth® module, TSM® (4-ch transmitter, 5-ch micro receiver)
6530	Transmitter, TQi Traxxas® Link enabled, 2.4GHz high output, 4-channel (transmitter only)
6511	Traxxas® Link Bluetooth® module
2261	Y-harness, BEC

Ready-To-Race Model

82056-4	TRX-4® Scale and Trail® Crawler with Land Rover® Defender® Body: 4WD Electric Trail Truck with TQi™ Traxxas Link™ Enabled 2.4GHz Radio System
---------	---

Scale Details

8022T	Fuel canisters (black) (2)/ screw pin
8022R	Fuel canisters (blue) (2)/ screw pin
8022-GRN	Fuel canisters (green) (2)/ screw pin
8022	Fuel canisters (red) (2)/ screw pin
8022X	Fuel canisters (white) (2)/ screw pin
8022A	Fuel canisters (yellow) (2)/ screw pin
8023	Jack (1)/ 2x8 BCS (1)
8023T	Jack (black) (1)/ 2x8 BCS (1)

Shock Oil

5031	Oil, shock (20 wt, 200 cSt, 60cc) (silicone)
5032	Oil, shock (30 wt, 350 cSt, 60cc) (silicone)
5033	Oil, shock (40 wt, 500 cSt, 60cc) (silicone)

Page 5 TRX-4® Land Rover® Defender®: TQi™ Traxxas Link™ Enabled 2.4GHz Radio (Model 82056-4) Parts List

- 5034 Oil, shock (50 wt, 600 cSt, 60cc) (silicone)
- 5035 Oil, shock (60 wt, 700 cSt, 60cc) (silicone)
- 5036 Oil, shock (70 wt, 900 cSt, 60cc) (silicone)
- 5037 Oil, shock (80 wt, 1,000 cSt, 60cc) (silicone)
- 5029 Shock oil bottle (60cc) (for mixing shock oil)
- 5038X Shock oil set (includes 20 wt, 30 wt, 40 wt, 50 wt, 60 wt, 70 wt, & 80 wt premium shock oils with spinning carousel rack)
- 5038 Spinning carousel rack

Shocks (GTS)

- 8266A Body, GTS shock (aluminum, blue-anodized) (1)
- 8266G Body, GTS shock (aluminum, green-anodized) (1)
- 8266R Body, GTS shock (aluminum, red-anodized) (1)
- 8266 Body, GTS shock (aluminum, silver-anodized) (1)
- 8266X Body, GTS shock (hard-anodized, PTFE-coated aluminum) (1)
- 8264 Caps & spring retainers, GTS shocks (upper cap (2)/ hollow balls (4)/ bottom cap (2)/ upper retainer (2)/ lower retainer (2))
- 8274 Hollow ball set, complete, TRX-4® (aluminum, PTFE-coated)
- 5475 Multi-tool (plastic)
- 8261 Piston, damper (red) (4)/ e-clips (8)
- 8262 Rebuild kit, TRX-4® shocks (x-rings, o-rings, pistons, bushings, e clips, rod ends, and travel limiters)
- 8263 Shock shaft, 3x47mm (GTS) (2)
- 8263T Shock shaft, 3x47mm (GTS) (titanium nitride-coated) (2)
- 8260X Shocks, GTS hard-anodized, PTFE-coated aluminum bodies with TiN shafts (assembled with spring retainers) (2)
- 8260A Shocks, GTS, blue-anodized (assembled with spring retainers) (2)
- 8260G Shocks, GTS, green-anodized (assembled with spring retainers) (2)
- 8260R Shocks, GTS, red-anodized (assembled with spring retainers) (2)
- 8260 Shocks, GTS, silver aluminum (assembled with spring retainers) (2)

Slipper Clutch Components

- 8292 Input shaft/ output shaft (transmission)
- 8286 Output shafts (transfer case), front & rear
- 8254 Rebuild kit, slipper clutch (steel disc (2)/ friction insert (2)/ 4.0mm NL (1)/ spring washers (2))
- 8249 Slipper eliminator plate

Springs

- 8041 Springs, shock (GTS) (front) (0.45 rate) (2)
- 8040 Springs, shock (GTS) (rear) (0.54 rate) (2)
- 8042 Springs, shock (natural finish) (GTS) (0.22 rate, yellow stripe) (2)
- 8043 Springs, shock (natural finish) (GTS) (0.30 rate, white stripe) (2)
- 8044 Springs, shock (natural finish) (GTS) (0.39 rate, orange stripe) (2)
- 8045 Springs, shock (natural finish) (GTS) (0.61 rate, blue stripe) (2)

Spur Gears & Pinion Gears

- 6746 Gear, 10-T pinion (32-p) (steel) (fits 3mm shaft)/ set screw
- 6747 Gear, 11-T pinion (32-p) (steel) (fits 3mm shaft)/ set screw
- 3942X Gear, 12-T pinion (32-p), heavy duty (machined, hardened steel) (fits 3mm shaft)/ set screw
- 3943X Gear, 13-T pinion (32-p), heavy duty (machined, hardened steel) (fits 3mm shaft)/ set screw
- 3944X Gear, 14-T pinion (32-p), heavy duty (machined, hardened steel) (fits 3mm shaft)/ set screw
- 3945X Gear, 15-T pinion (32-p), heavy duty (machined, hardened steel) (fits 3mm shaft)/ set screw
- 3946X Gear, 16-T pinion (32-p), heavy duty (machined, hardened steel) (fits 3mm shaft)/ set screw
- 3947X Gear, 17-T pinion (32-p), heavy duty (machined, hardened steel) (fits 3mm shaft)/ set screw
- 3948X Gear, 18-T pinion (32-p), heavy duty (machined, hardened steel) (fits 3mm shaft)/ set screw
- 3950X Gear, 20-T pinion (32-p), heavy duty (machined, hardened steel) (fits 3mm shaft)/ set screw
- 3951X Gear, 21-T pinion (32-p), heavy duty (machined, hardened steel) (fits 3mm shaft)/ set screw
- 3952X Gear, 22-T pinion (32-p), heavy duty (machined, hardened steel) (fits 3mm shaft)/ set screw
- 6745 Gear, 9-T pinion (32-p) (steel) (fits 3mm shaft)/ set screw
- 8279 Ring gear, differential/ pinion gear, differential
- 8052 Spur gear, 39-tooth (32-pitch)
- 8053 Spur gear, 45-tooth (32-pitch)

Steering Components

- 8232 Caster blocks (portal drive), left & right
- 8232X Caster blocks, 6061-T6 aluminum (blue-anodized), left and right
- 8232A Caster blocks, 6061-T6 aluminum (charcoal gray-anodized), left and right
- 8232G Caster blocks, 6061-T6 aluminum (green-anodized), left and right
- 8232R Caster blocks, 6061-T6 aluminum (red-anodized), left and right
- 2072X Gear set, metal (for 2070, 2075 servos)

- 2072R Gear set, metal, high-speed (for 2070, 2075 servos)
- 8274 Hollow ball set, complete, TRX-4® (aluminum, PTFE-coated)
- 5355 Hollow ball, tall centered (2)/ tall offset hollow ball (2)/ bump steer adjustment shims; 3.5mm (2), 1.17mm (2)
- 8275 Rod end set, complete (standard (10), angled 10-degrees (8), offset (4))
- 8276 Rod ends (10)
- 8277 Rod ends, angled 10-degrees (8)
- 2742 Rod ends, long (6)/ hollow ball connectors (6)
- 8278 Rod ends, offset (4)
- 8247X Servo horn, steering, metal/ 3x14 BCS (1)
- 2075R Servo, digital high-speed, metal gear (ball bearing), waterproof
- 2250 Servo, digital high-torque 330 coreless, metal gear (ball bearing), waterproof
- 2255 Servo, digital high-torque 400 brushless, metal gear (ball bearing), waterproof
- 2075X Servo, digital high-torque, metal gear (ball bearing), waterproof
- 5529 Shim set, 3x7x1mm (2), 3x6x0.5mm (4), 3x7x2mm (2)/ hollow balls, captured (4)
- 8246 Steering link, 5x60mm (1)/ draglink, 5x117mm (1) (steel)
- 8243 Suspension link, front, 5x100mm (lower) (steel) (2)
- 8244 Suspension link, front, 5x63mm (upper) (steel) (2)
- 8245 Suspension link, rear, 5x121mm (upper or lower) (steel) (2)

Suspension Linkage

- 8274 Hollow ball set, complete, TRX-4® (aluminum, PTFE-coated)
- 5355 Hollow ball, tall centered (2)/ tall offset hollow ball (2)/ bump steer adjustment shims; 3.5mm (2), 1.17mm (2)
- 8275 Rod end set, complete (standard (10), angled 10-degrees (8), offset (4))
- 8276 Rod ends (10)
- 8277 Rod ends, angled 10-degrees (8)
- 2742 Rod ends, long (6)/ hollow ball connectors (6)
- 8278 Rod ends, offset (4)
- 5529 Shim set, 3x7x1mm (2), 3x6x0.5mm (4), 3x7x2mm (2)/ hollow balls, captured (4)
- 8243 Suspension link, front, 5x100mm (lower) (steel) (2)
- 8244 Suspension link, front, 5x63mm (upper) (steel) (2)
- 8248 Suspension link, rear, 5x109mm (upper or lower) (steel) (2)
- 8245 Suspension link, rear, 5x121mm (upper or lower) (steel) (2)

Team Traxxas Items

- 2514 Decal sheet, racing sponsors
- 9950 Official Team Traxxas® racing decal set(flag logo/ 6-color)
- 9909 Traxxas® racing banner, red & black (3x7 feet)

Tires & Wheels

- 8169T Beadlock rings, black (1.9") (aluminum) (4)/ 2x10 CS (48)
- 8168T Beadlock rings, black (2.2") (aluminum) (4)/ 2x10 CS (48)
- 8169X Beadlock rings, blue (1.9") (aluminum) (4)/ 2x10 CS (48)
- 8168X Beadlock rings, blue (2.2") (aluminum) (4)/ 2x10 CS (48)
- 8169G Beadlock rings, green (1.9") (aluminum) (4)/ 2x10 CS (48)
- 8168G Beadlock rings, green (2.2") (aluminum) (4)/ 2x10 CS (48)
- 8169R Beadlock rings, red (1.9") (aluminum) (4)/ 2x10 CS (48)
- 8168R Beadlock rings, red (2.2") (aluminum) (4)/ 2x10 CS (48)
- 8169 Beadlock rings, satin (1.9") (aluminum) (4)/ 2x10 CS (48)
- 8168 Beadlock rings, satin (2.2") (aluminum) (4)/ 2x10 CS (48)
- 8176 Center caps, wheel (chrome) (4)/ decal sheet (requires #8255A extended thread stub axle)
- 1747P Nuts, 4mm flanged nylon locking (aluminum, pink anodized) (4)
- 1747R Nuts, aluminum, flanged, serrated (4mm) (blue-anodized) (4)
- 1747G Nuts, aluminum, flanged, serrated (4mm) (green-anodized) (4)
- 1747T Nuts, aluminum, flanged, serrated (4mm) (orange-anodized) (4)
- 1747A Nuts, aluminum, flanged, serrated (4mm) (red-anodized) (4)
- 8174 Tires & wheels, assembled (Method Race Wheels® 105 Beadlock 1.9" black chrome beadlock wheels, Canyon Trail 4.6x1.9" tires, foam inserts) (1 left, 1 right)
- 8182 Tires & wheels, assembled (Method Race Wheels® 105 Beadlock 1.9" satin black chrome, blue beadlock style wheels, Canyon Trail 4.6x1.9" tires, foam inserts) (1 left, 1 right)
- 8177 Tires & wheels, assembled, glued (1.9" chrome wheels, Canyon Trail 4.6x1.9" tires) (2)/ center caps (2)/ decal sheet (requires #8255A extended thread stub axle)
- 8166 Tires & wheels, assembled, glued (1.9" chrome wheels, Canyon Trail 4.6x1.9" tires) (2)/ center caps (2)/ decal sheet (requires #8255A extended thread stub axle)
- 8166X Tires & wheels, assembled, glued (1.9" chrome wheels, Canyon Trail 4.6x1.9" tires) (4)/ center caps (4)/ decal sheet (requires #8255A extended thread stub axle)
- 8183X Tires & wheels, assembled, glued (1.9" classic chrome wheels, Canyon Trail 4.6x1.9" tires) (4)/ center caps (4)/ decal sheet (requires #8255A extended thread stub axle)

Page 6 TRX-4® Land Rover® Defender®: TQi™ Traxxas Link™ Enabled 2.4GHz Radio (Model 82056-4) Parts List

- 8273 Tires & wheels, assembled, glued (Tactical 1.9" wheels, Canyon Trail 4.6x1.9" tires) (2)
- 8272X Tires & wheels, assembled, glued (TRX-4® 1.9" satin beadlock wheels, Canyon Trail 4.6x1.9" tires) (2)
- 8272 Tires & wheels, assembled, glued (TRX-4® 1.9" wheels, Canyon Trail 4.6x1.9" tires) (2)
- 8181-BLUE Tires & wheels, assembled, glued (TRX-4® Sport 2.2" gray, blue beadlock style wheels, Canyon Trail 5.3x2.2" tires) (2)
- 8181-GRN Tires & wheels, assembled, glued (TRX-4® Sport 2.2" gray, green beadlock style wheels, Canyon Trail 5.3x2.2" tires) (2)
- 8181-RED Tires & wheels, assembled, glued (TRX-4® Sport 2.2" gray, red beadlock style wheels, Canyon Trail 5.3x2.2" tires) (2)
- 8172 Tires and wheels, assembled (Method 105 2.2™ black chrome beadlock wheels, Canyon Trail 5.3x2.2™ tires, foam inserts) (1 left, 1 right) (for use with TRX-4 Long Arm Lift Kit)
- 8181 Tires and wheels, assembled, glued (TRX-4® Sport 2.2™ wheels, Canyon Trail 5.3x2.2™ tires) (2) (for use with TRX-4 Long Arm Lift Kit)
- 8270 Tires, Canyon Trail 4.6x1.9" (S1 compound)/ foam inserts (2)
- 8170 Tires, Canyon Trail 5.3x2.2™/ foam inserts (2) (for use with TRX-4 Long-Arm Lift Kit)
- 8269 Wheel hubs, 12mm hex (2)/ stub axle pins (2) (steel)
- 8269X Wheel hubs, 12mm hex, 6061-T6 aluminum (blue-anodized) (4)/ 3x10 screw pin (4)
- 8269A Wheel hubs, 12mm hex, 6061-T6 aluminum (charcoal gray-anodized) (4)/ 3x10 screw pin (4)
- 8269G Wheel hubs, 12mm hex, 6061-T6 aluminum (green-anodized) (4)/ 3x10 screw pin (4)
- 8269R Wheel hubs, 12mm hex, 6061-T6 aluminum (red-anodized) (4)/ 3x10 screw pin (4)
- 8175 Wheels, 1.9", chrome (2)/ center caps (2)/ decal sheet (requires #8255A extended thread stub axle)
- 8173 Wheels, 1.9", Method Race Wheels® 105 Beadlock (black chrome, beadlock) (beadlock rings sold separately)
- 8173A Wheels, 1.9", Method Race Wheels® 105 Beadlock (charcoal gray, beadlock) (beadlock rings sold separately)
- 8171 Wheels, Method 105 2.2" (black chrome, beadlock) (beadlock rings sold separately) (for use with TRX-4 Long Arm Lift Kit)
- 8171A Wheels, Method 105 2.2" (charcoal gray, beadlock) (beadlock rings sold separately) (for use with TRX-4 Long Arm Lift Kit)
- 8271 Wheels, TRX-4® 1.9 (2)
- 8271X Wheels, TRX-4® 1.9 (satin beadlock) (2)
- 8180 Wheels, TRX-4® Sport 2.2 (2)
- 8180-BLUE Wheels, TRX-4® Sport 2.2 (gray, blue beadlock style) (2)
- 8180-GRN Wheels, TRX-4® Sport 2.2 (gray, green beadlock style) (2)
- 8180-RED Wheels, TRX-4® Sport 2.2 (gray, red beadlock style) (2)
- 8268 Wheels, TRX-4® Tactical 1.9 (2)

- 8722 Speed bit handle, premium (rubber overmold)
- 8710 Speed Bit Master Set, hex and nut driver, 13-piece, includes premium handle (medium), travel pouch, hex drivers (straight: 1.5mm, 2.0mm, 2.5mm, 3.0mm), (ball-end: 2.0mm, 2.5mm, 3.0mm), and nut drivers (4.0mm, 4.5mm, 5.0mm, 5.5mm, 7.0mm, 8.0mm), 1/4" drive
- 8711 Speed Bit Master Set, hex driver, 7-piece straight and ball end, includes premium handle (medium), travel pouch, hex drivers (straight: 1.5mm, 2.0mm, 2.5mm, 3.0mm) (ball end: 2.0mm, 2.5mm, 3.0mm), 1/4" drive
- 8719 Speed Bit Master Set, nut driver, 6-piece, includes premium handle (medium), travel pouch, and nut drivers (4.0mm, 4.5mm, 5.0mm, 5.5mm, 7.0mm, 8.0mm), 1/4" drive
- 8716 Speed Bit Set, hex driver, 2-piece ball-end (2.0mm, 2.5mm), 1/4" drive
- 8716X Speed Bit Set, hex driver, 3-piece ball-end (2.0mm, 2.5mm, 3.0mm) 1/4" drive
- 8715 Speed Bit Set, hex driver, 3-piece straight (1.5mm, 2.0mm, 2.5mm), 1/4" drive
- 8715X Speed Bit Set, hex driver, 4-piece straight (1.5mm, 2.0mm, 2.5mm, 3.0mm), 1/4" drive
- 8714 Speed Bit Set, screwdriver, 3-piece straight (3mm slotted, #1 Phillips, and #2 Phillips bits), 1/4" drive
- 2748R Tool set (includes 1.5mm hex wrench / 2.0mm hex wrench / 2.5mm hex wrench/ 4-way wrench/ 8mm & 4mm wrench/ U-joint wrench)
- 3415 Tool set with pouch (includes 1.5mm, 2.0mm, 2.5mm, 3.0mm, 3.5mm, 4mm drivers/4mm, 5mm, 5.5mm, 7mm, and 8mm nut drivers/ 2mm, 3mm, and 4mm slotted screwdrivers/ #00 Phillips, #0 Phillips, and #1 Phillips screwdrivers/ 4mm and 8mm wrenches/ driver handle)

TRX-4® Traxx®

- 8889 Bearing retainers, inner (2)/ outer (2)
- 8890 Drive wheel (1)
- 8885 Shock mounts (frame, left (2), frame, right (2))/ portal mounts (1 each, front (left & right), rear (left & right))
- 8888 Spring (4)
- 8887 Stub axle (1)
- 8886 Stub axle nut (4)
- 8891 Tension wheels (6)/ road wheels (4)
- 8881 Traxx®, front, left (assembled) (requires #8887 stub axle, #7061 GTR shock, & #8895 rubber track)
- 8882 Traxx®, front, right (assembled) (requires #8887 stub axle, #7061 GTR shock, & #8895 rubber track)
- 8883 Traxx®, rear, left (assembled) (requires #8887 stub axle, #7061 GTR shock, & #8896 rubber track)
- 8884 Traxx®, rear, right (assembled) (requires #8887 stub axle, #7061 GTR shock, & #8896 rubber track)
- 8880 Traxx®, TRX-4® (4) (complete set, front & rear)
- 8895 Treads, All-Terrain, TRX-4® Traxx® (front, left or right) (rubber) (1)
- 8896 Treads, All-Terrain, TRX-4® Traxx® (rear, left or right) (rubber) (1)

Transmission Components

- 8283 Cable, T-lock (front)
- 8284 Cable, T-lock (rear)
- 8289 Drive hub, 2-speed/ shift dog/ shift fork/ 2-speed linkage
- 8293X Gear set, transmission, metal (includes 18T, 30T input gears, 36T output gear, 2x9.8 pins (5))
- 8291 Gearbox housing (includes main housing, front housing, & cover)
- 8285 Gears, transfer case (3)
- 5041 Grease, premium high performance (20cc)
- 8292 Input shaft/ output shaft (transmission)
- 8290X Motor mount plate, 6061-T6 aluminum (blue-anodized)
- 8290A Motor mount plate, 6061-T6 aluminum (charcoal gray-anodized)
- 8290G Motor mount plate, 6061-T6 aluminum (green-anodized)
- 8290R Motor mount plate, 6061-T6 aluminum (red-anodized)
- 8295 Output drive, transmission or differential (pin retainer (1)/ drive cup (1) drive ball (1) drive pin (1) 3x10 screw pin (1) cross pin (black) (1) 3x6 BCS with threadlock (1))
- 8294 Output gear, high range, 24T (metal)
- 8286 Output shafts (transfer case), front & rear
- 8290 Plate, motor/ upper spur gear cover
- 8249 Slipper eliminator plate
- 8296 Transmission gears, single speed, metal

Traxxas Tools

- 3433X Body reamer (aluminum handle)
- 3433 Body reamer (plastic handle)
- 3436 Cap, body reamer
- 3432 Scissors, curved tip
- 3431 Scissors, straight tip
- 8712 Speed Bit Essentials Set, hex and nut driver, 7-piece, includes premium handle (medium), travel pouch, hex drivers (straight: 1.5mm, 2.0mm, 2.5mm) and nut drivers (5.0mm, 5.5mm, 7.0mm, and 8.0mm), 1/4" drive
- 8720 Speed bit handle, large (overmolded)
- 8721 Speed bit handle, medium (one piece)

If you have questions or need technical assistance, call Traxxas at:

1-888-TRAXXAS

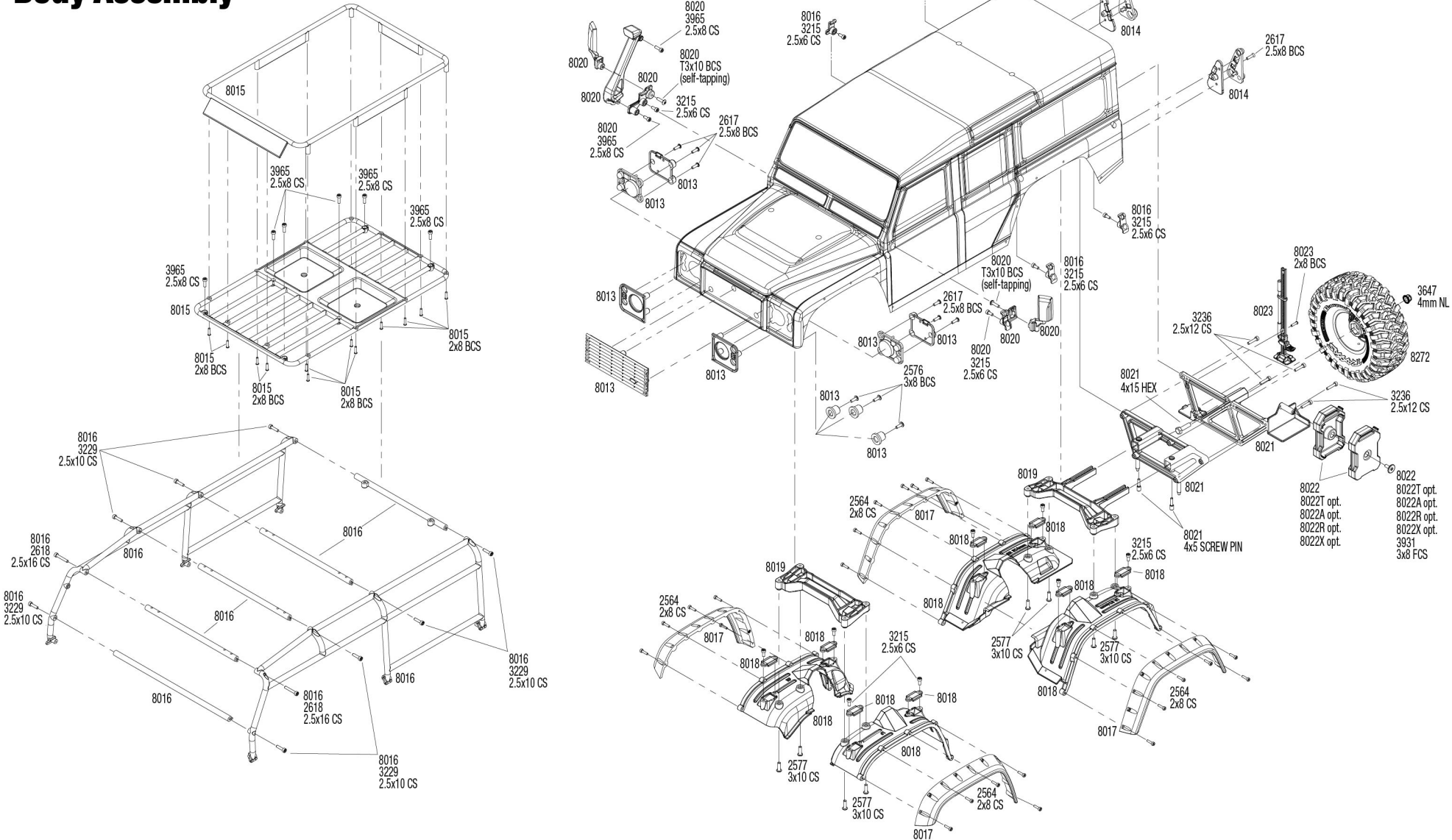
(1-888-872-9927) (U.S. residents only)

For orders, calls outside the U.S., and other information, call 972-549-3000, or fax to 972-549-3011 e-mail Traxxas at support@Traxxas.com

TRAXXAS.COM

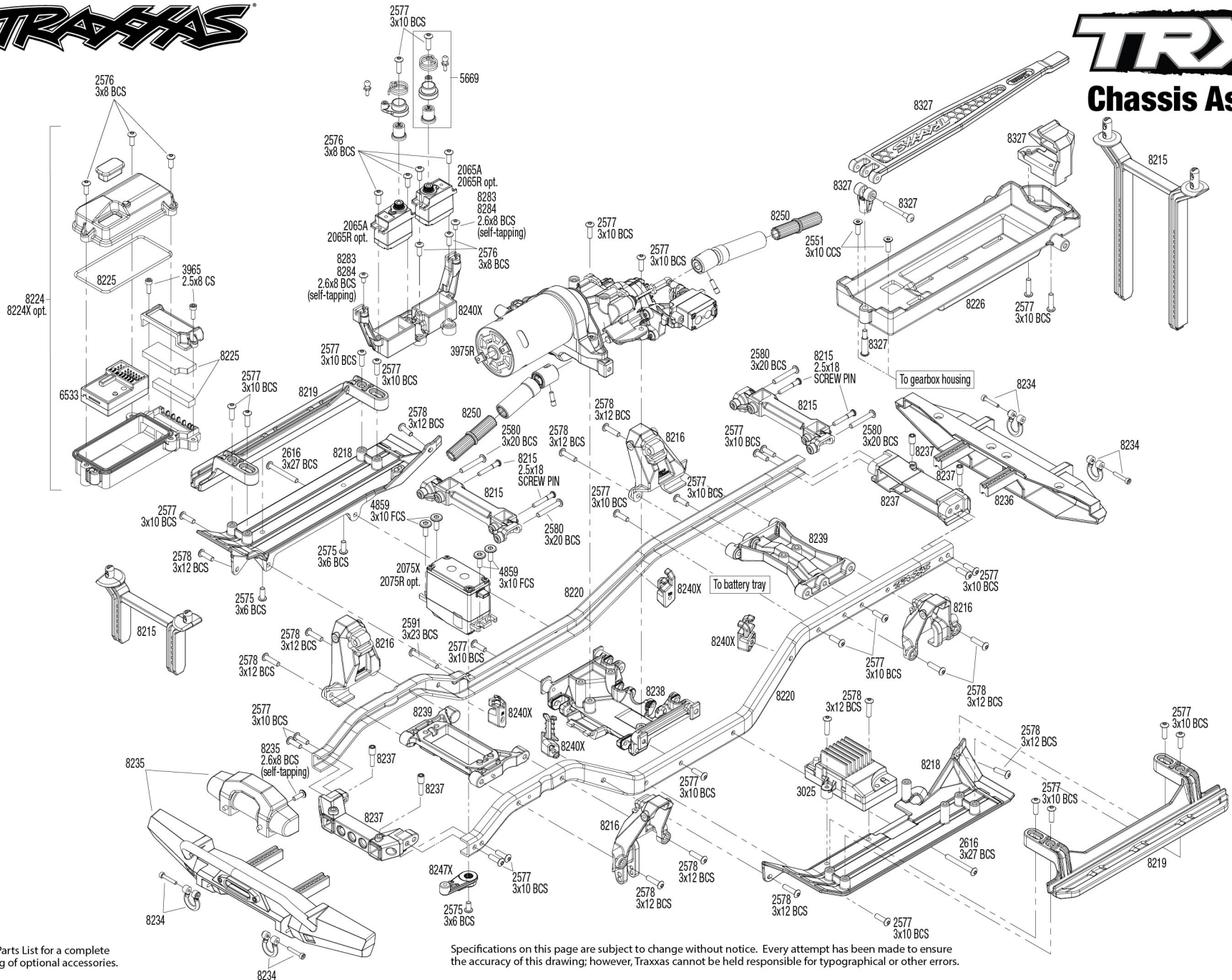


Body Assembly



See Parts List for a complete listing of optional accessories.

REV 231201-R23
Specifications on this page are subject to change without notice. Every attempt has been made to ensure the accuracy of this drawing; however, Traxxas cannot be held responsible for typographical or other errors.

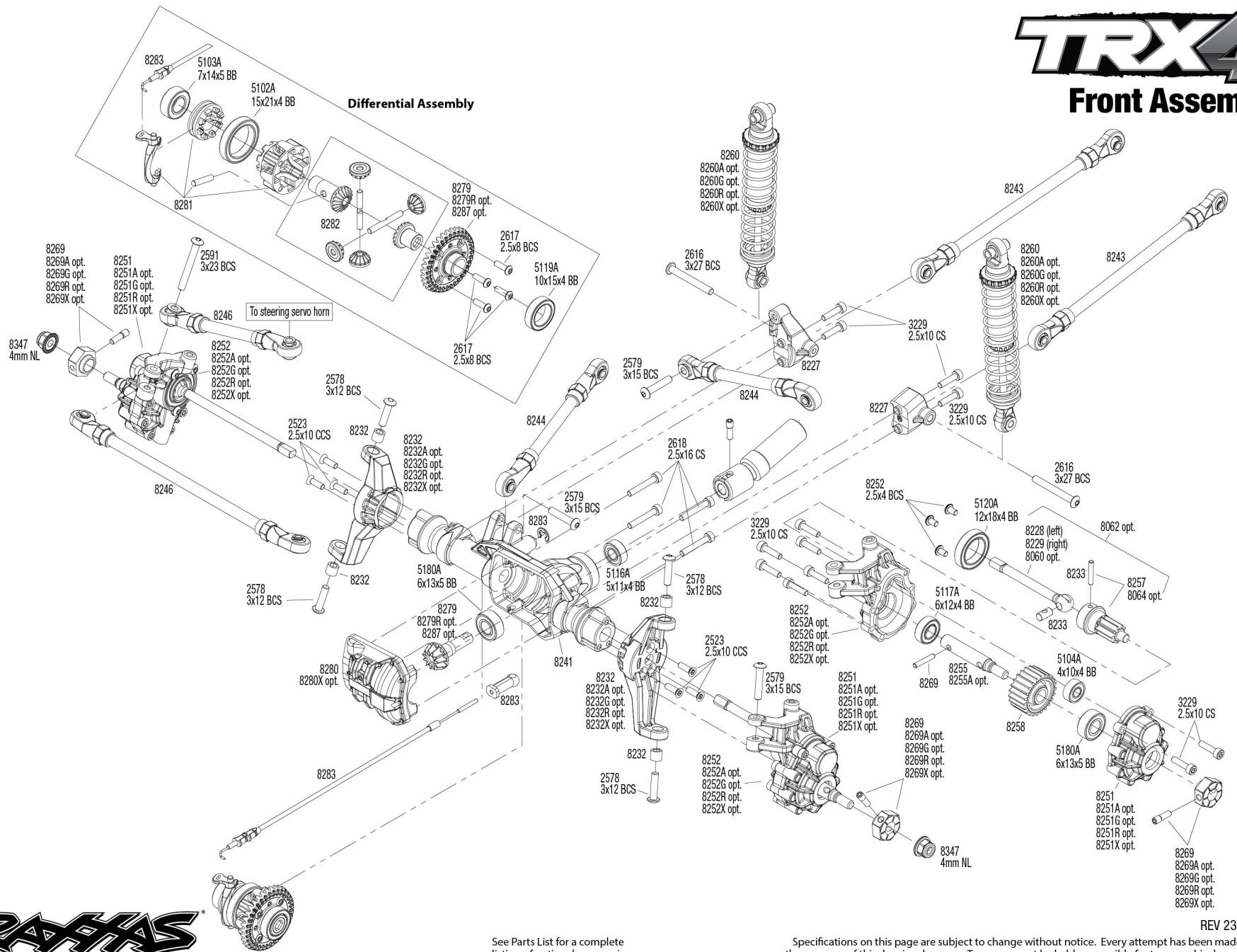


See Parts List for a complete listing of optional accessories.

Specifications on this page are subject to change without notice. Every attempt has been made to ensure the accuracy of this drawing; however, Traxxas cannot be held responsible for typographical or other errors.

TRX4

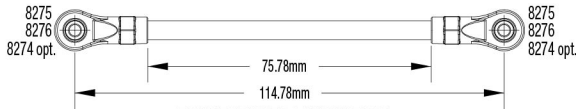
Front Assembly



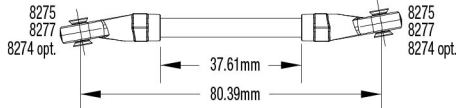
See Parts List for a complete listing of optional accessories.

Specifications on this page are subject to change without notice. Every attempt has been made to ensure the accuracy of this drawing; however, Traxxas cannot be held responsible for typographical or other errors.

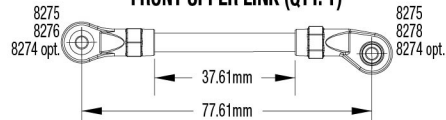
Link Dimensions



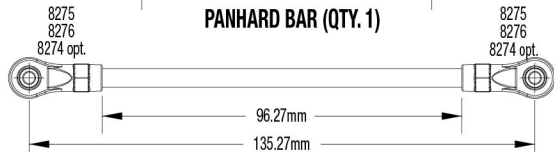
FRONT LOWER LINK (QTY. 2)



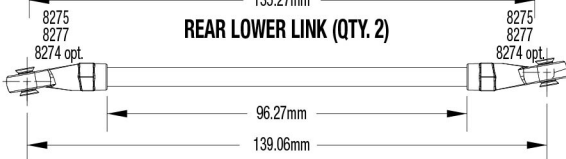
FRONT UPPER LINK (QTY. 1)



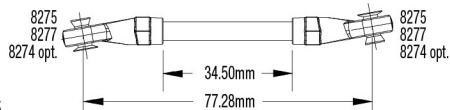
PANHARD BAR (QTY. 1)



REAR LOWER LINK (QTY. 2)



REAR UPPER LINK (QTY. 2)



STEERING LINK (QTY. 1)



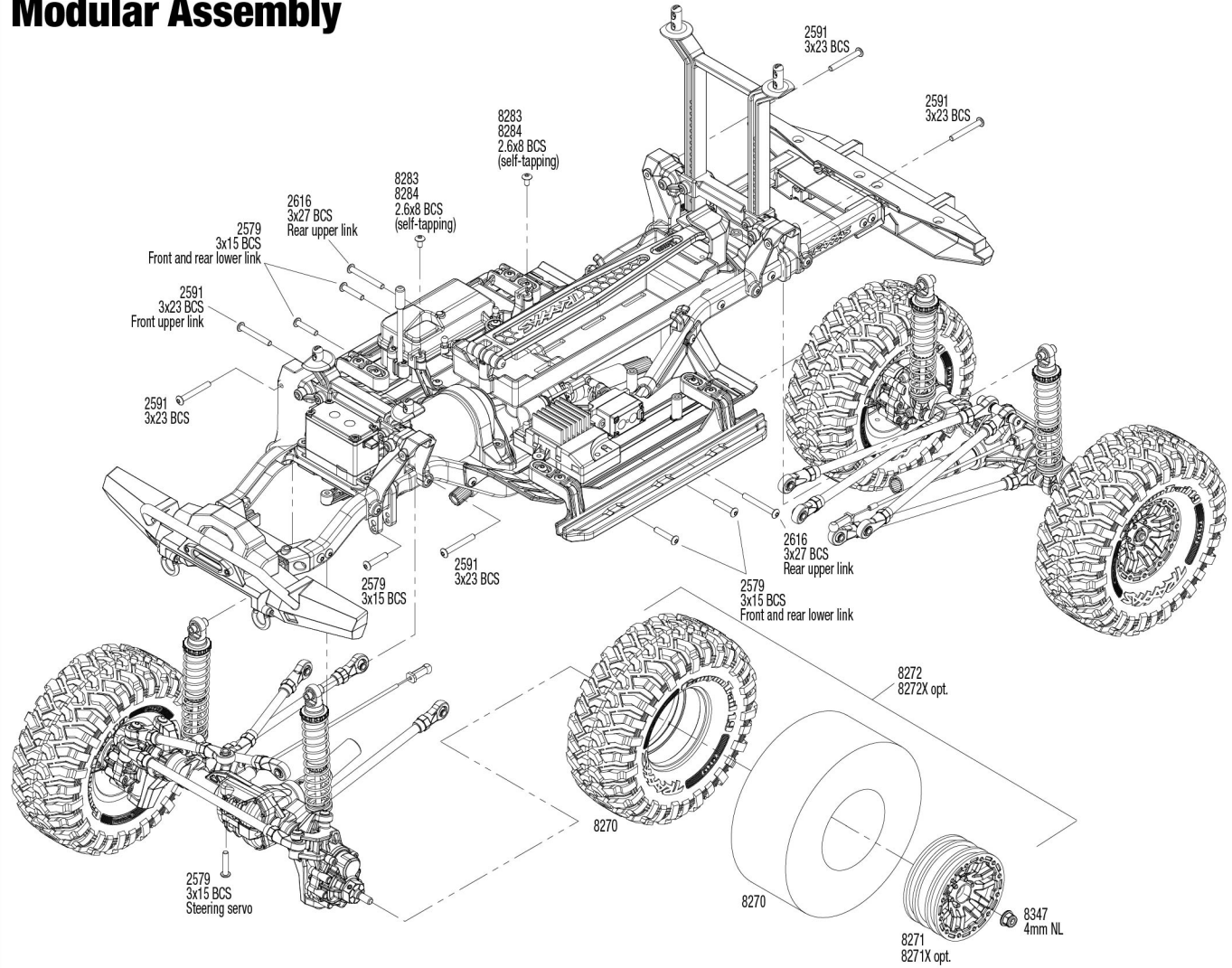
DRAG LINK (QTY. 1)



ROD ENDS

For standard hollow ball replacement, use part #5349.

Modular Assembly



See Parts List for a complete listing of optional accessories.

Specifications on this page are subject to change without notice. Every attempt has been made to ensure the accuracy of this drawing; however, Traxxas cannot be held responsible for typographical or other errors.

Shock Assembly

